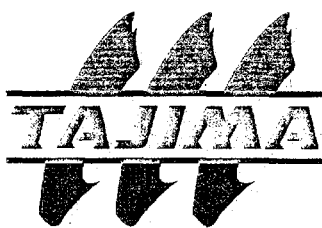


# **PARTS LIST**

# **TMCE-601**



P-CP03-E  
(9807)

## Table of Contents

---

● TMCE-601 GENERAL VIEW	
● TMCE-601 FRAME .....	CP-1
● TMCE-601 STAND.....	CP-2
● TMCE-601 MAIN SHAFT MECHANISM .....	CP-3
● TMCE-601 ARM 1 .....	CP-4
● TMCE-601 ARM 2 .....	CP-5
● TMCE-601 X-AXIS DRIVE SYSTEM .....	CP-6
● TMCE-601 Y-AXIS DRIVE SYSTEM .....	CP-7
● TMCE-601 LOOPER PATH .....	CP-8
● TMCE-601 TENSION BASE .....	CP-9
● TMCE-601 TENSION RELEASE .....	CP-10
● TMCE-601 COLOR CHANGE SENSOR.....	CP-11
● TMCE-601 THREAD STAND.....	CP-12
● TMCE-601 BORDER FRAME .....	CP-13
● TMCE-601 ELECTRIC PARTS.....	CP-14

Part Nos. of screws, nuts, washers etc. are listed at the end of volume.

### **[ Explanation of Marks #'s and \*'s at End of Part No.]**

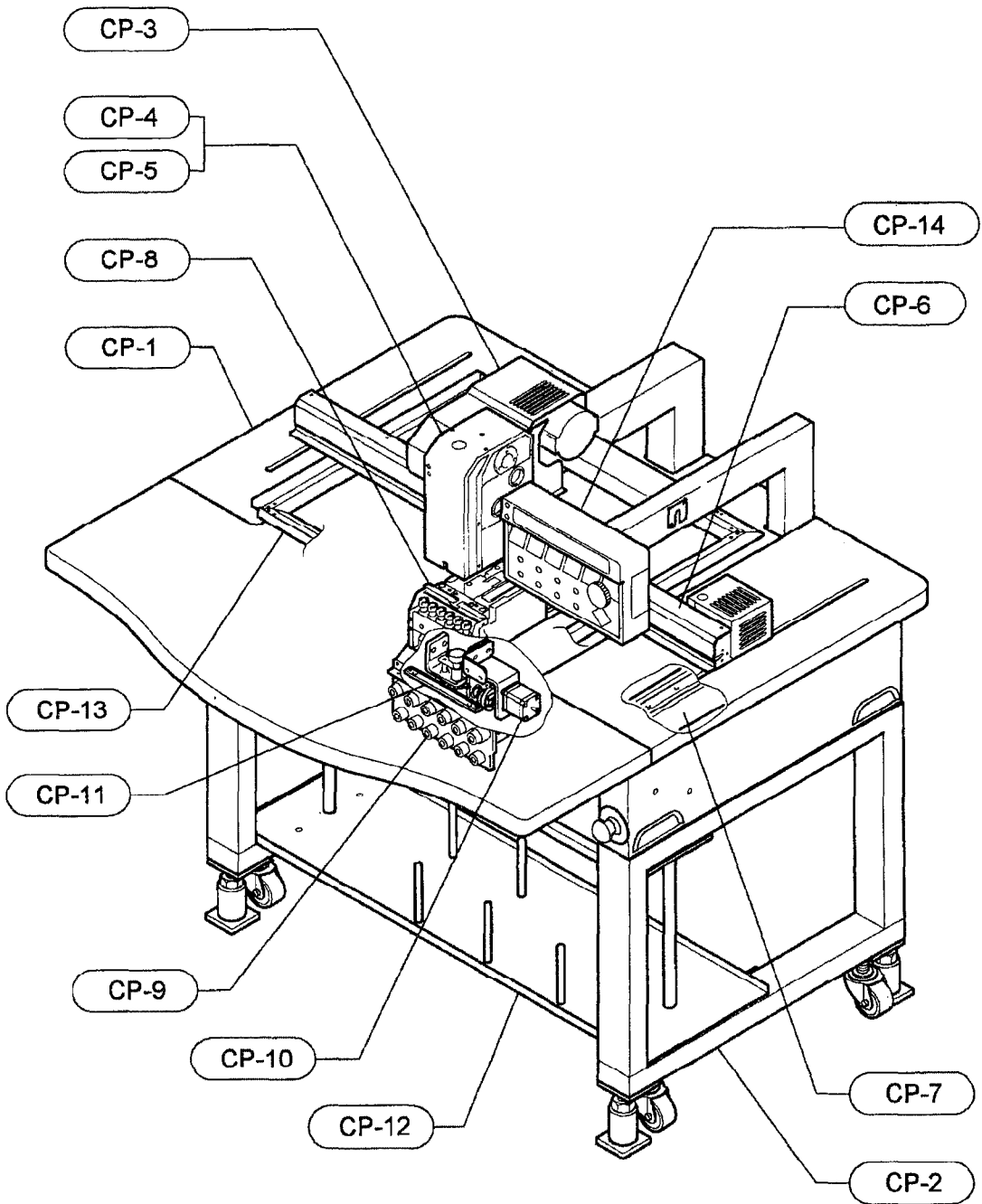
◆ Please specify, in the following manner, your machine model, manufacturing number and embroidery space when you order us with the parts having \*\*\*\* at the end of the part No.:

Ex. :	TMFD-612	(450×275)S	No.01234
	[Model]	[Emb. Space]	[Mfg. No.]

(BH07)

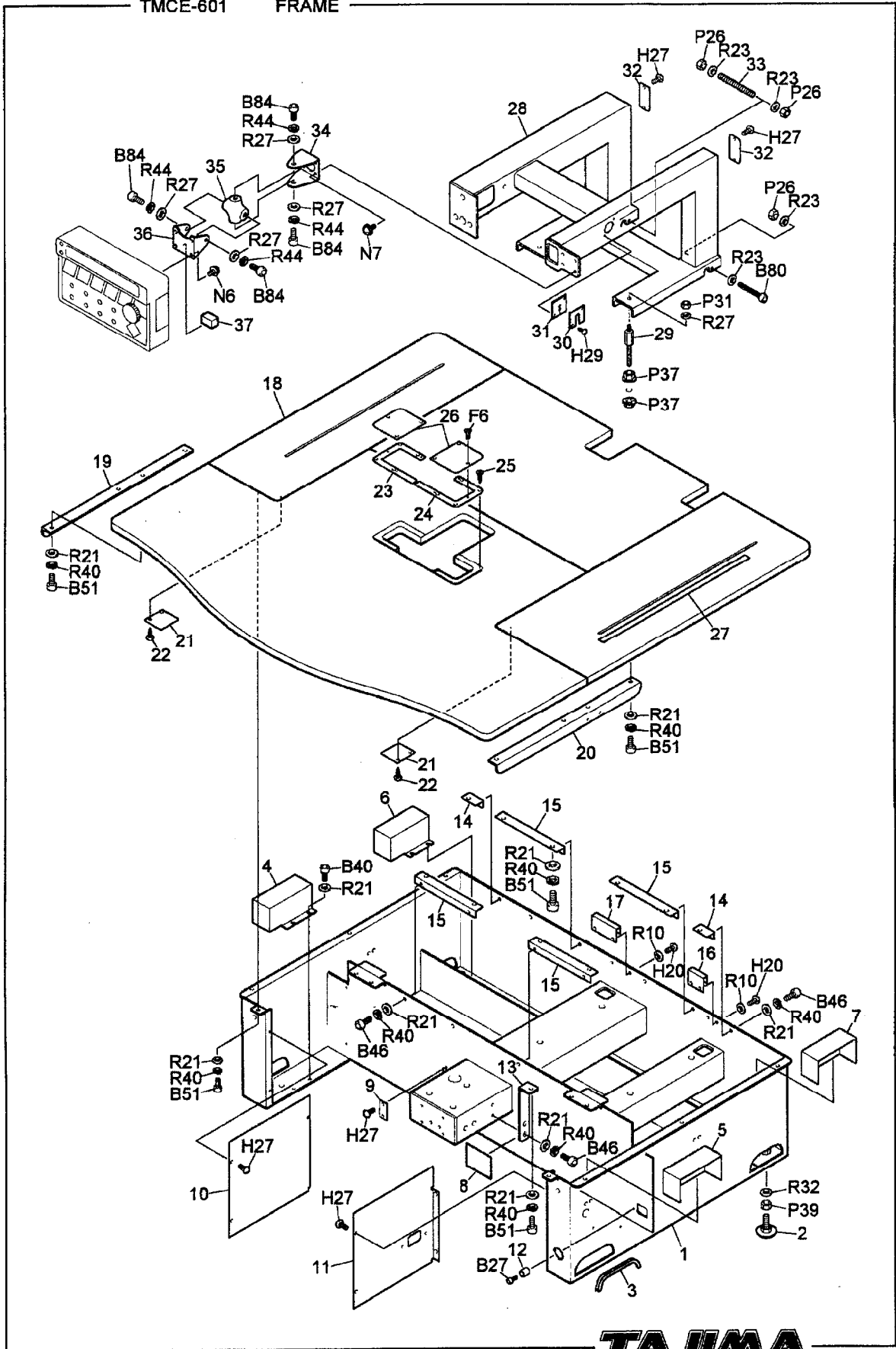
TMCE-601

GENERAL VIEW



**TAJIMA**

(BH07)



**TAJIMA**

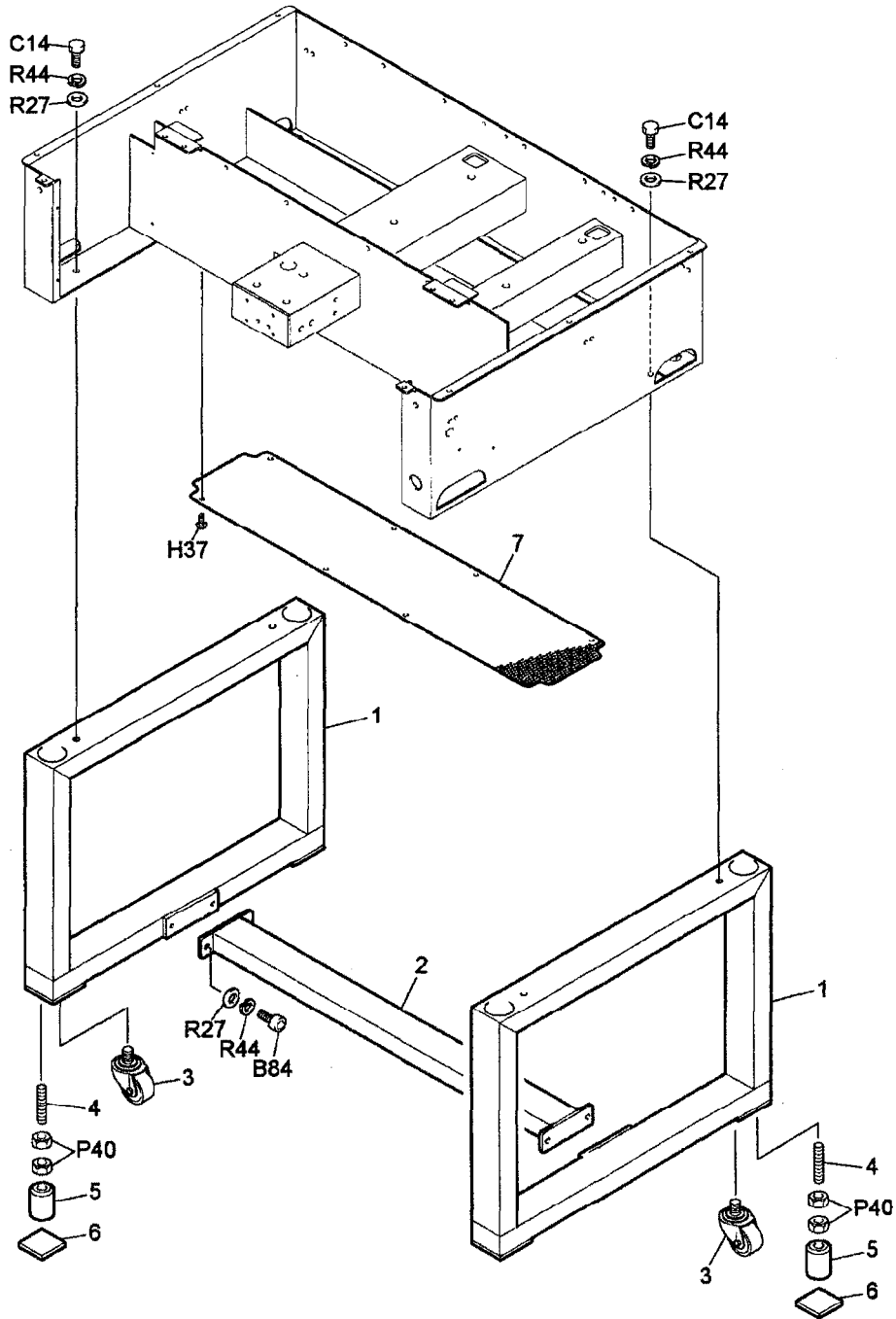
(BH07)

# TMCE-601 FRAME

CP--1

Ref.No.	Description	Part No.	Remark
1	Stand	CLOA21010000	
2	Level Adjuster	EC0812000000	
3	Regular Trim	BP75X32W1270	
4	Grip Cover L	EC0F27L00000	
5	Grip Cover R	EC0F27R00000	
6	Grip Cover Rear L	CLOA25L00000	
7	Grip Cover Rear R	CLOA25R00000	
8	Model Name Plate	CLOA11000000	
9	Clear Plate B	EC0F17000000	
10	Side Cover L	CLOA07L00000	
11	Side Cover R	CLOA26000000	
12	Cushion	ATO404000000	
13	Table Reinforcing Bracket	CLOA01000000	
14	Table Bracket AL	EC0803L00000	
15	Table Bracket B	EC0817010000	
16	Table Cover A	CLOA16A00000	
17	Table Cover B	CLOA16B00000	
18	Table	CLOA15010000	
19	Table Support L	CLOA03L00000	
20	Table Support R	CLOA03R00000	
21	Front Table Holder	EC0830000000	
22	Round Head Wood Screw		4P*20
23	Side Cover Spacer L	CL0822000000	
24	Side Cover Spacer R	CL0821000000	
25	Countersunk Head Wood Screw		3.1P*12
26	Side Cover	CL0820000000	
27	Traverse Scale	CX07A3000000	
28	Integral Arm Support	CLOA22000000	
29	Arm Support Stud	CLOA18000000	
30	Clamp Holder	CL0723000000	
31	Cord Clamp	CX0119010000	
32	Arm Support Wiring Cover	CLOA02000000	
33	Harness Guard Shaft	CLOA17000000	
34	Panel Joint	CX08320A0000	
35	Cross Joint	CX08150A0000	
36	Operation Panel Attaching Arm	EG01040A0000	
37	Cushion Rubber	EC0829010000	
38			
39			
40			
41			
42			
43			
44			
45			
46			
47			
48			
49			
50			

Note: As for parts with marks # or \*, please follow our instructions on Table of Contents in your parts order. (BH07)



**TAJIMA**

(BH07)

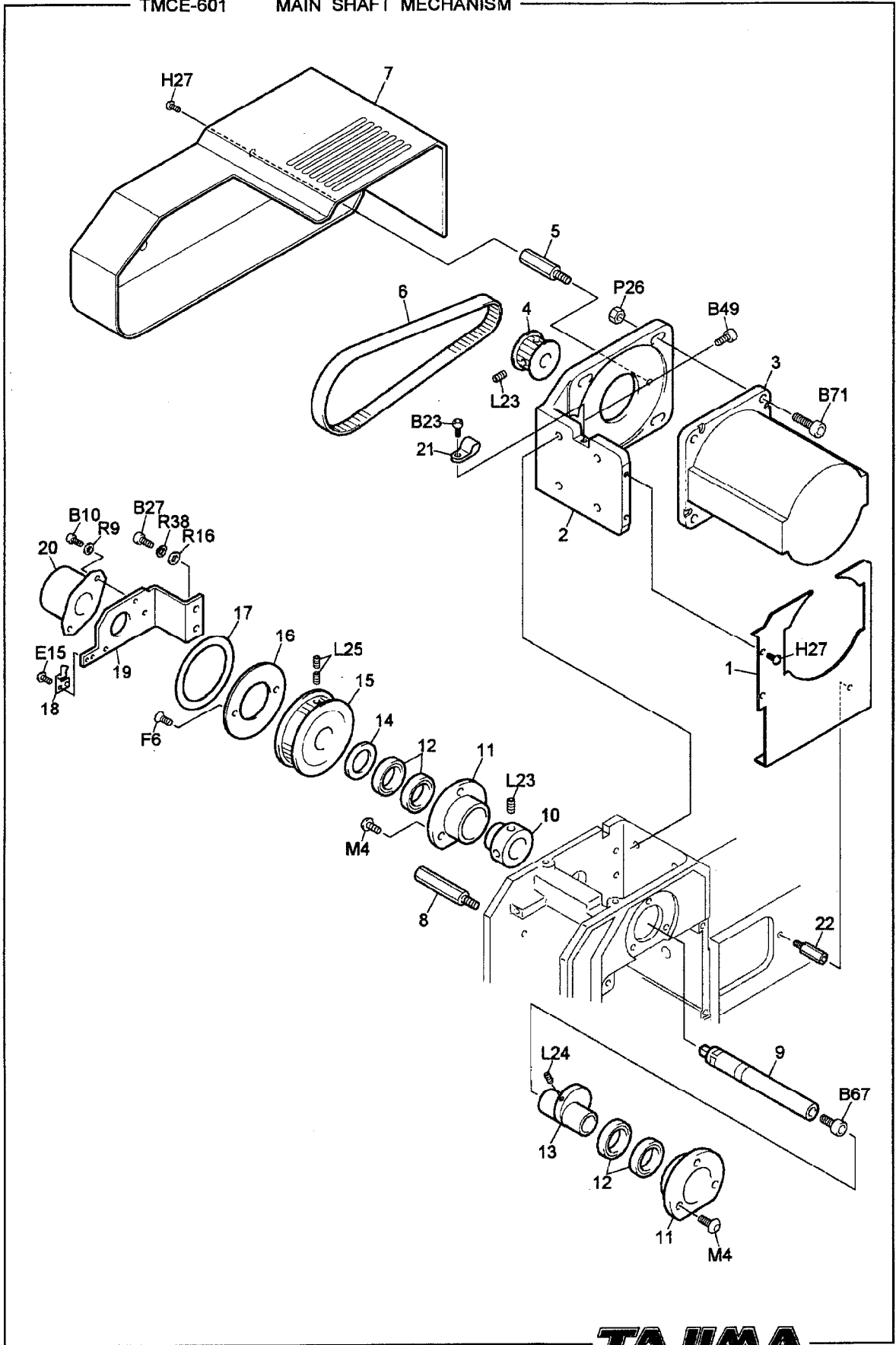
# TMCE-601 STAND

CP-2

Ref.No.	Description	Part No.	Remark
1	Side Stand Base	ECOF03010000	
2	Middle Stand Base	EC0819020000	
3	Caster	BP420SAR65MM	
4	Stud Bolt	CX08E3000000	
5	Leveling Block	CX08E7000000	
6	Vibration-preventive Rubber	EC0826000000	
7	Stand Bottom Cover	CLOA20000000	
8			
9			
10			
11			
12			
13			
14			
15			
16			
17			
18			
19			
20			
21			
22			
23			
24			
25			
26			
27			
28			
29			
30			
31			
32			
33			
34			
35			
36			
37			
38			
39			
40			
41			
42			
43			
44			
45			
46			
47			
48			
49			
50			

Note: As for parts with marks # or \*, please follow our instructions on Table of Contents in your parts order.

(BH07)



**TAJIMA**

(BH07)



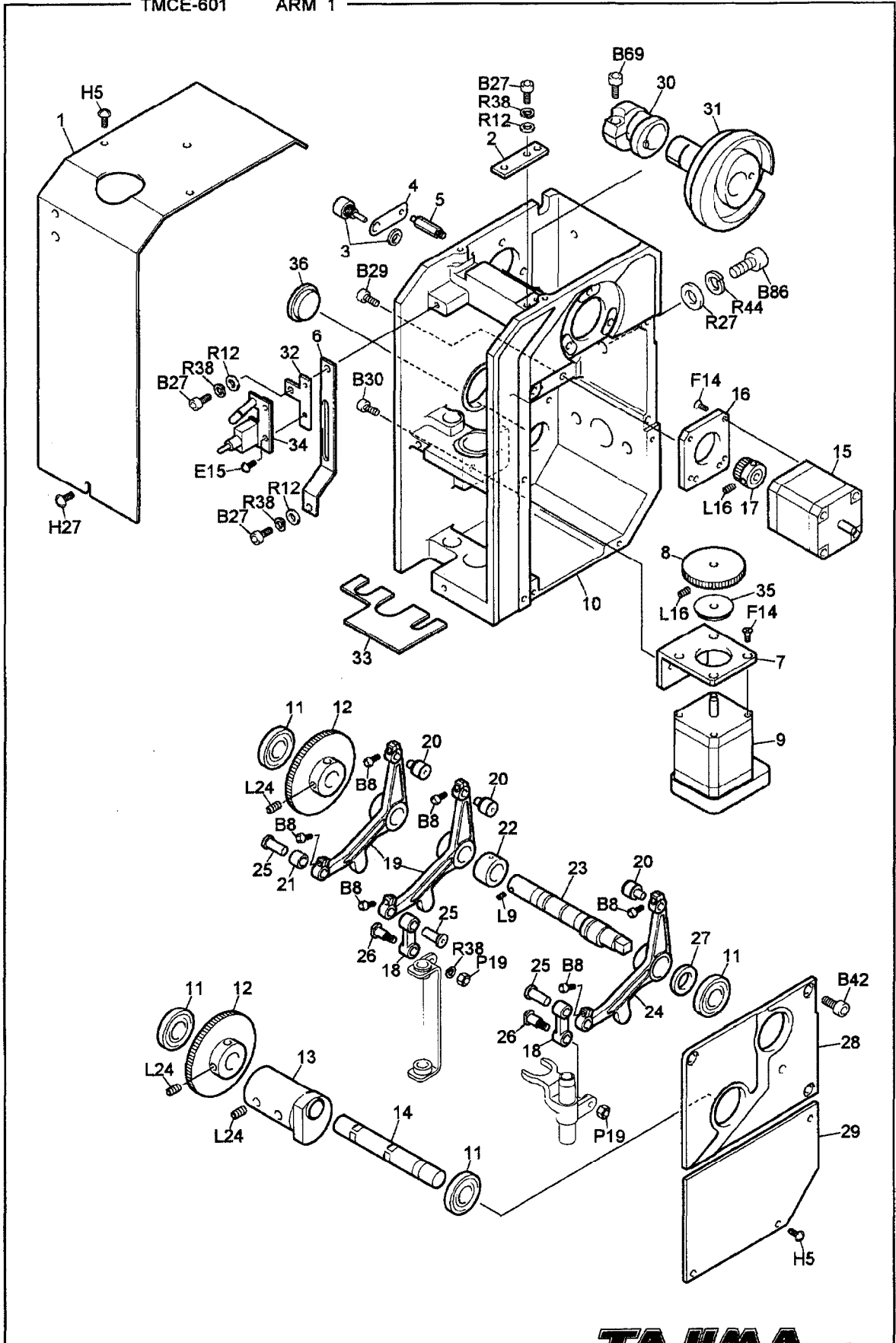
# TMCE-601 MAIN SHAFT MECHANISM

CP-3

Ref.No.	Description	Part No.	Remark
1	Arm Support Cover	CL0A08010000	
2	Main Shaft Motor Base	CL0A19010000	
3	Pulse (Stepping) Motor	CL6201000000	
4	Main Shaft Drive Pulley	CL0589000000	
5	Cover Stud B	CL0A06B10000	
6	Timing Belt	BPS5M1504250	
7	Main Shaft Cover	CL0A09000000	
8	Cover Stud A	CL0A06A00000	
9	Main Shaft	CL0A04010000	
10	15mm Dia. Bearing Collar	EG0227000000	
11	Bearing Case A	CL0548000000	
12	Ball Bearing	BP6803ZZ0000	
13	Main Shaft Bushing	CL0551010000	
14	Pulley Positioning Collar	CL0591000000	
15	Main Shaft Pulley	CL0588010000	
16	Angle Indicator Plate Base	CL0584000000	
17	Angle Indicator Plate	CL0582000000	
18	Angle Pointer	CL0587000000	
19	Encoder Base	CL0586000000	
20	Rotary Encoder	CL0851000000	
21	Nylon Clamp	PB001100EB00	
22	Thread Stand Plate Attaching Stud	MX0821020000	
23			
24			
25			
26			
27			
28			
29			
30			
31			
32			
33			
34			
35			
36			
37			
38			
39			
40			
41			
42			
43			
44			
45			
46			
47			
48			
49			
50			

Note: As for parts with marks # or \*, please follow our instructions on Table of Contents in your parts order.

(BH07)



(BH07)

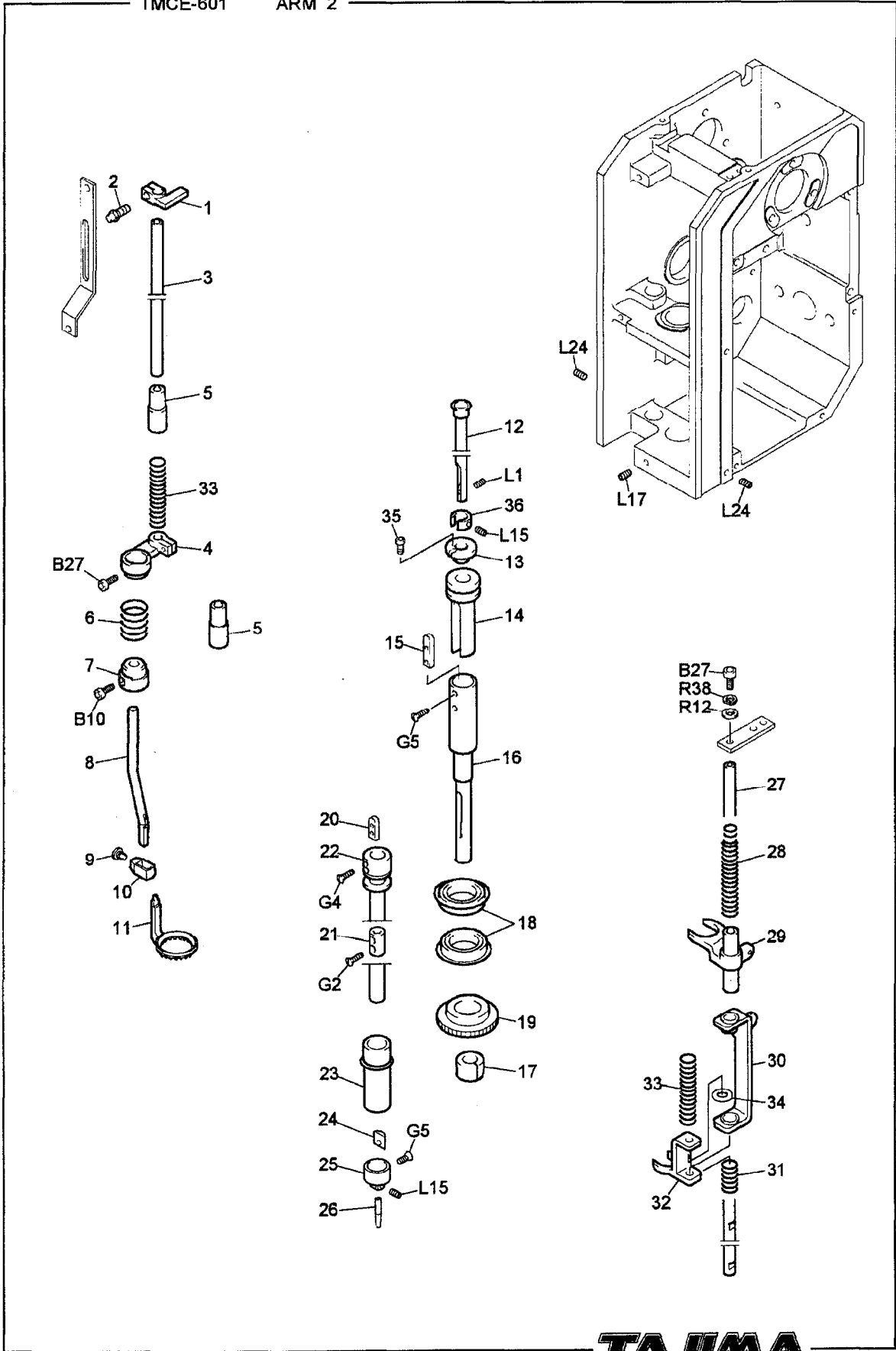
# TMCE-601 ARM 1

CP-4

Ref.No.	Description	Part No.	Remark
1	Arm Cover	CL0560010000	
2	Nipple Shaft Attaching Base	CL0520000000	
3	Potentiometer	CL0842000000	
4	Potentiometer Attaching Plate B	CL0422000000	
5	Potentiometer Stud B	CL0423000000	
6	Presser Foot Lifting Block Sub Plate	CL0517000000	
7	D-axis Motor Base	CL0542000000	
8	D-axis Drive Gear	CL0539000000	
9	Pulse (Stepping) Motor	CL0838020000	With Encoder
10	Arm	CL0583000000	
11	Ball Bearing	BP6001ZZ0000	
12	Z-axis Driven Gear	CL0546000000	
13	Positioning Cam	CL0556000000	
14	Positioning Cam Shaft	CL0557000000	
15	Pulse (Stepping) Motor	CL0835010000	
16	Z-axis Motor Base	CL0547000000	
17	Z-axis Drive Gear	CL0543S00000	
18	Needle Bar Drive Connecting Rod	EF0513000000	
19	Drive Lever B	CL0530000000	
20	Lever Cam Roller Pin	CL0533000000	
21	Presser Drive Urethane Collar	CL0518000000	
22	Drive Lever Positioning Collar	CL0532000000	
23	Drive Lever Pin	CL0528000000	
24	Drive Lever A	CL0529000000	
25	Connecting Pin B	CL0535000000	
26	Connecting Pin A	CL0534000000	
27	Drive Lever Spacer	CL0531000000	
28	Arm Side Bearing Holder Base	CL0558010000	
29	Arm Side Cover	CL0559000000	
30	Presser Foot Drive Cam	CL0555000000	
31	Needle Bar Nipple Drive Cam	CL0553000000	
32	Switch Bracket	CL0563000000	
33	Oil Fencing Felt B	CL0562000000	
34	CE Switch Card	CL7201010000	
35	Pulse (Stepping) Motor Cap	CL0537000000	
36	Arm Blind Lid	CL0585000000	
37			
38			
39			
40			
41			
42			
43			
44			
45			
46			
47			
48			
49			
50			

Note: As for parts with marks # or \*, please follow our instructions on Table of Contents in your parts order.

(BH07)



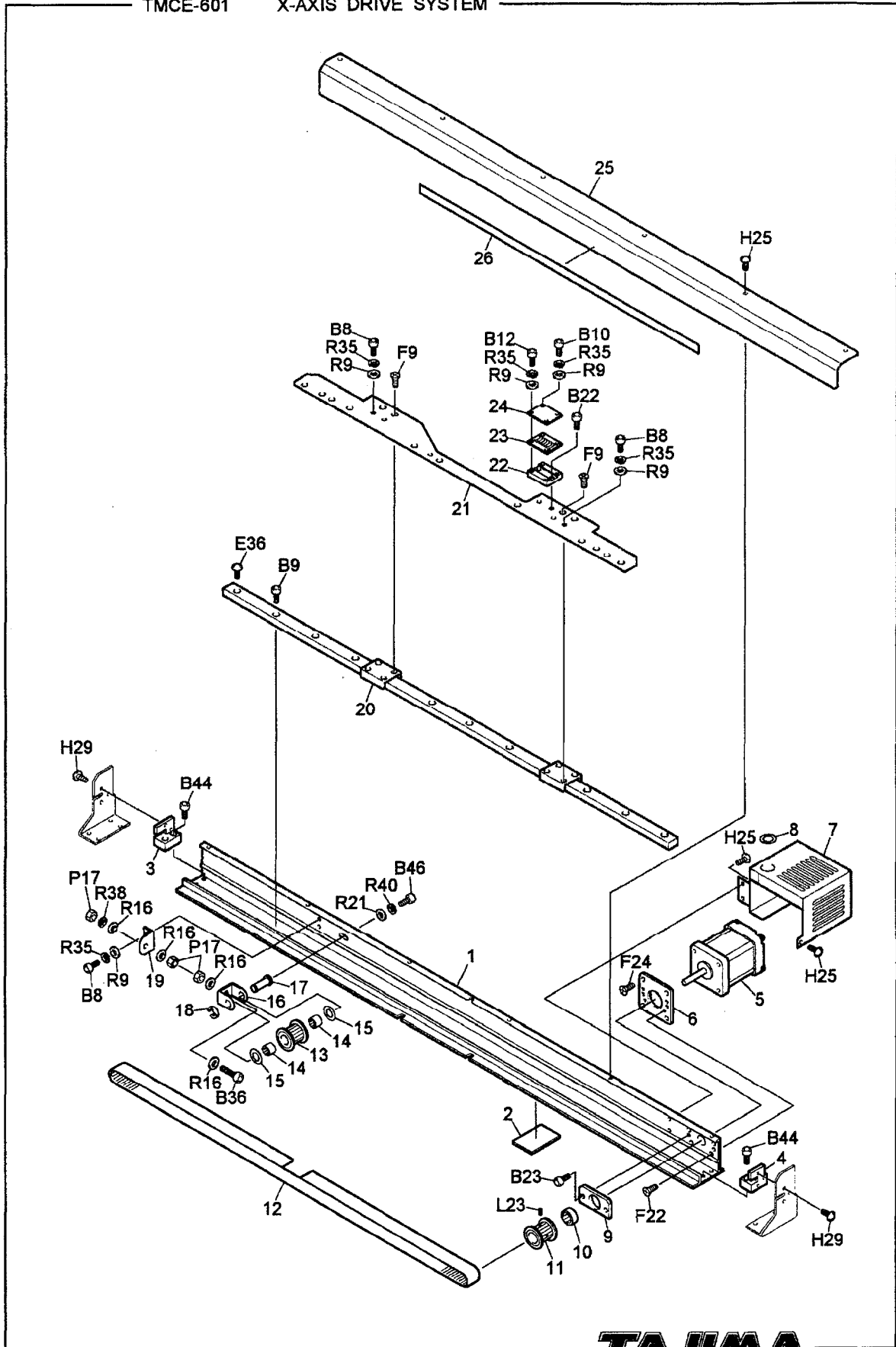
# TMCE-601 ARM 2

CP-5

Ref.No.	Description	Part No.	Remark
1	Presser Foot Lifting Block	CL051500000	
2	Presser Lifter Block Pin	CL051600000	
3	Presser Drive Shaft	CL052300000	
4	Presser Foot Bracket	CL052400000	
5	Presser Foot Bushing	CL052100000	
6	Presser Foot Return Spring	CE022600000	
7	Bracket Collar	CE022700000	
8	Presser Bracket	CL051900000	
9	Presser Set Screw	CE023100000	
10	Presser Connecting Stud	CE023000000	
11	Presser Foot B	CE0232B0000	
12	Needle Bar	CL050200000	
13	Needle Bar Tightening Collar	CL050600000	
14	Needle Bar Lifting Sleeve	CL050500000	
15	Needle Bar Reciprocating Sleeve Key	CL050800000	
16	Needle Bar Sleeve	CL050900000	
17	D-axis Gear Split Collar	CL054100000	
18	Ball Bearing	BP6901ZNR00	
19	D-axis Driven Gear	CL054000000	
20	Reciprocating Sleeve Key	CE021900000	
21	Nipple Reciprocating Sleeve Collar	CL051010000	
22	Nipple Lifting Sleeve	CL0510S0000	
23	Sleeve	CL051200000	
24	Nipple Connecting Stud B Spacer	CE022100000	
25	Nipple Connecting Stud B	CE022000000	
26	Nipple	CE022200000	
27	Nipple Drive Shaft	CL052200000	
28	Needle Bar Spring	CL052500000	
29	Needle Bar Slide Block	CL051400000	
30	Nipple Lifting Connecting Block	CL0536S0000	
31	Nipple Reciprocating Block Spring	CL052700000	
32	Nipple Lifting Block	CL051300000	
33	Nipple Presser Foot Spring	CL052600000	
34	O-Ring	EF062100000	
35	Needle Bar Collar Screw	CL050700000	
36	Needle Position Gauge	CL058100000	
37			
38			
39			
40			
41			
42			
43			
44			
45			
46			
47			
48			
49			
50			

Note: As for parts with marks # or \*, please follow our instructions on Table of Contents in your parts order.

(BH07)



(BH07)

# TMCE-601 X-AXIS DRIVE SYSTEM

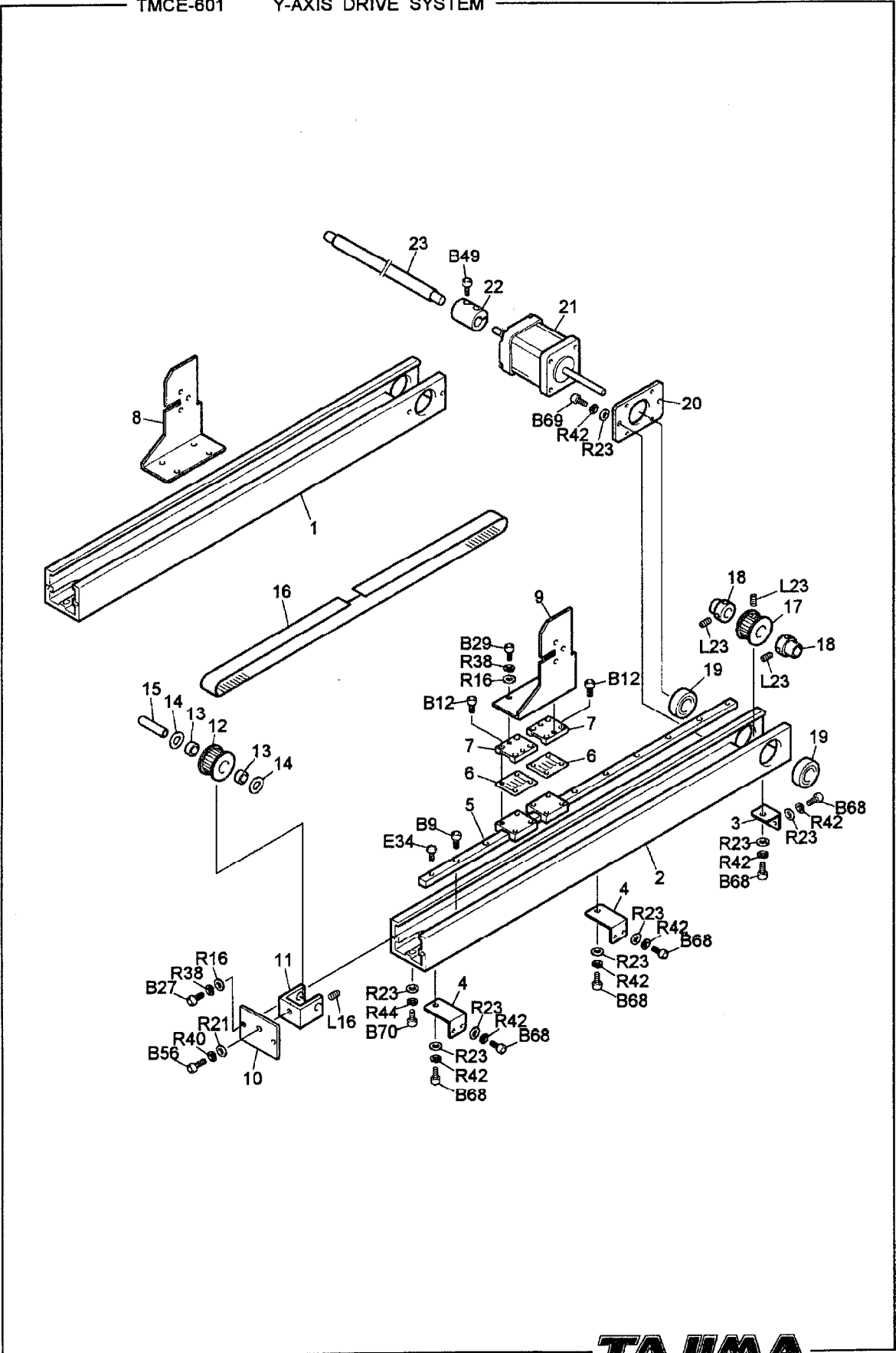
CP-6

Ref.No.	Description	Part No.	Remark
1	Z-spec. Frame	ECOE01000000	
2	Z-spec. Frame Felt	EC0720000000	
3	Z-spec. Frame Fixing Block L	ECOE11L00000	
4	Z-spec. Frame Fixing Block R	ECOE11R00000	
5	X-axis Pulse Motor	EC6401020000	
6	X-axis Motor Plate A	ECOE16000000	
7	Motor Cover	ECOE22000000	
8	Spacer	ECOE21000000	
9	X-axis Motor Plate B	ECOE23000000	
10	Ball Bearing	BPR1980HH000	
11	Z-spec. Frame Pulley A	EC0709000000	
12	Timing Belt	BP015AT50299	
13	No.1 Pulley	CX0715000000	
14	Needle Bearing	BPHK10100000	
15	Washer	BPTW10200000	
16	U-shaped Bracket	EC0704000000	
17	X-axis Pin	EC0710000000	
18	E-ring	BPE700000000	
19	Tension Stay	EC0705000000	
20	X-axis Traverse Linear Way	ECOL12000000	
21	Joint Plate	ECOE06000000	
22	X-axis Stack Plate	EC0707020000	
23	X-axis Slit Plate	EC0703000000	
24	Belt Presser Plate	EC0702000000	
25	Z-spec. Frame Cover	ECOE03000000	
26	Traverse Scale	CX07A3000000	
27			
28			
29			
30			
31			
32			
33			
34			
35			
36			
37			
38			
39			
40			
41			
42			
43			
44			
45			
46			
47			
48			
49			
50			

Note: As for parts with marks # or \*, please follow our instructions on Table of Contents in your parts order.

(BH07)





**TAJIMA**

(BH07)

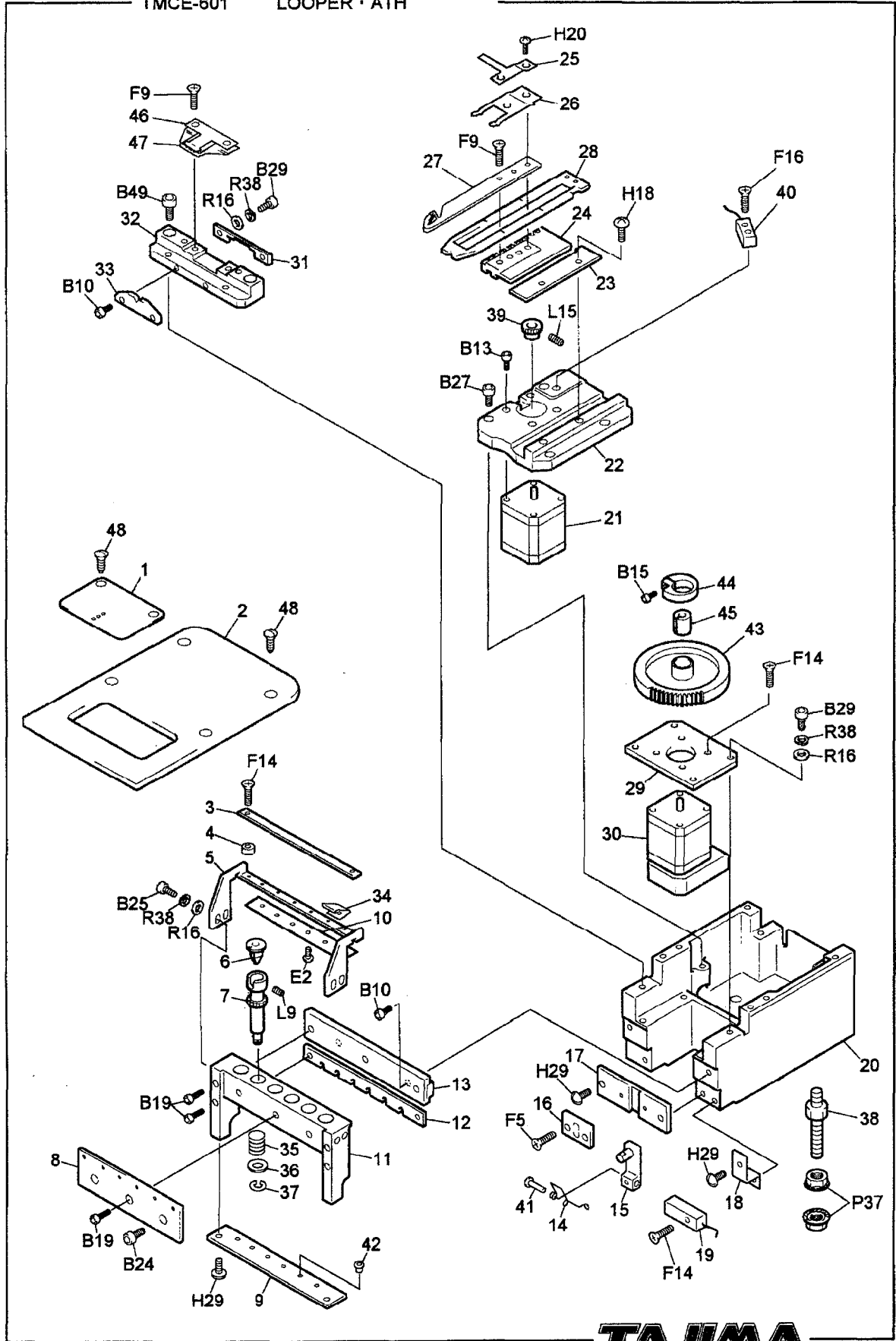


# TMCE-601 Y-AXIS DRIVE SYSTEM

CP-7

Ref.No.	Description	Part No.	Remark
1	Y-axis Frame L	ECOL02L00000	
2	Y-axis Frame R	ECOL02R00000	
3	Frame Bracket	EC0807000000	
4	Frame Bracket B	ECOM04000000	
5	Y-axis Traverse Linear Way	BPC2R0580267	
6	Y-axis Belt Catcher	CX0705000000	
7	Y-axis Stack Plate	EC0708000000	
8	Z-spec. Frame Stay L	CL0724L00000	
9	Z-spec. Frame Stay R	CL0724R00000	
10	Frame Cover A	CX07B7000000	
11	Y-axis Tension Bearing	CX07C5000000	
12	No.1 Pulley	CX0715000000	
13	Needle Bearing	BPHK10100000	
14	Washer	BPTW10200000	
15	Tension Shaft	CX07C1000000	
16	Timing Belt	BP015AT5261Y	
17	Z-spec. Frame Pulley A	EC0709000000	
18	Y-axis Collar	EC0E25000000	
19	Ball Bearing	BP6002ZZ0000	
20	Y-axis Pulse Motor Base	EC0E14000000	
21	Y-axis Pulse Motor	EC6402000000	
22	Split Joint	EC0E26000000	
23	Y-axis Drive Shaft	CLOA05000000	
24			
25			
26			
27			
28			
29			
30			
31			
32			
33			
34			
35			
36			
37			
38			
39			
40			
41			
42			
43			
44			
45			
46			
47			
48			
49			
50			

Note: As for parts with marks # or \*, please follow our instructions on Table of Contents in your parts order. (BH07)



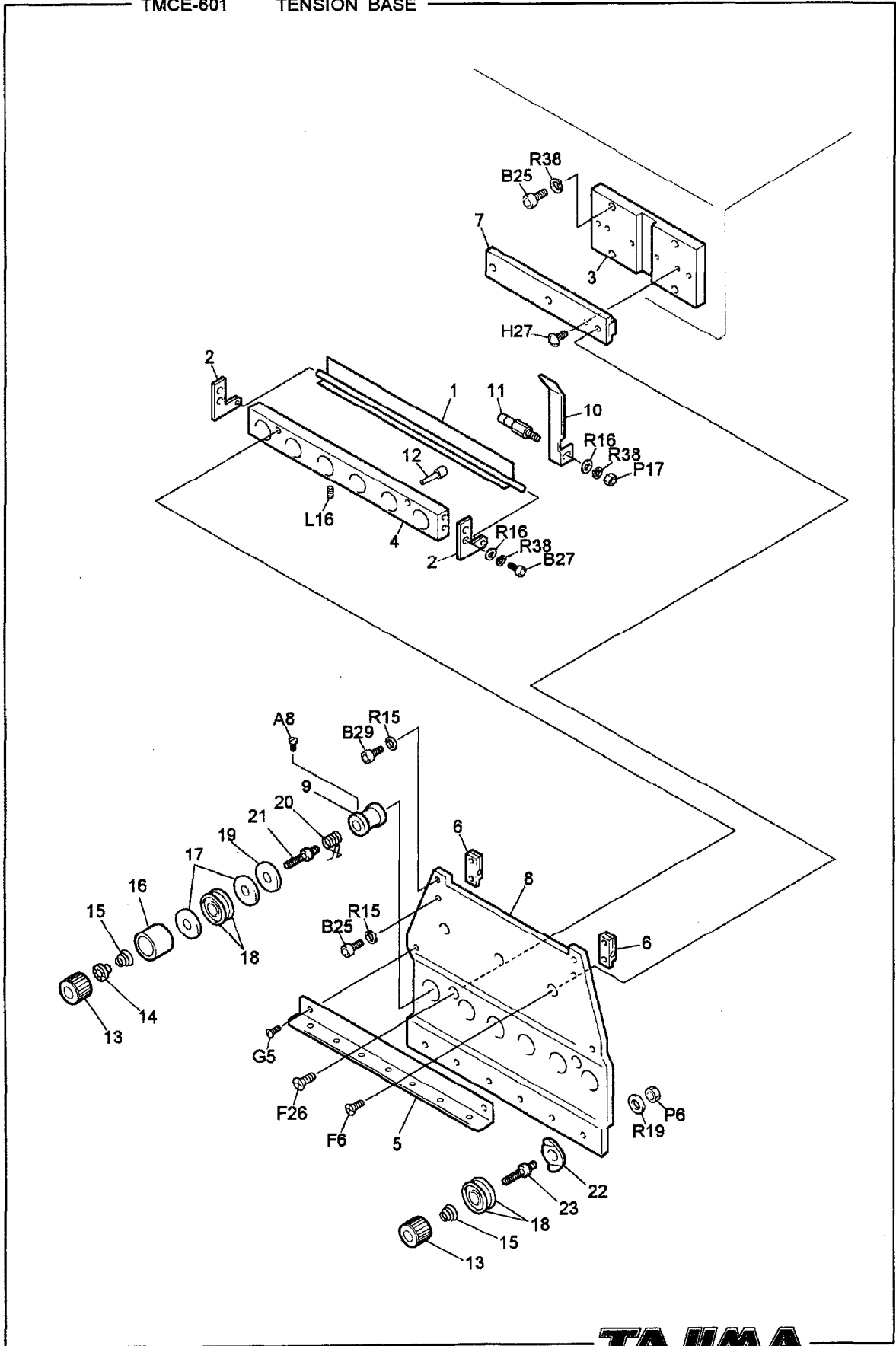
# TMCE-601 LOOPER · ATH

CP-8

Ref.No.	Description	Part No.	Remark
1	Needle Plate A	CL0227000000	1.6P
1	Needle Plate B	CL0228000000	1.8P
1	Needle Plate C	CL0229000000	1.4P
2	Looper Base Cover	CL0230000000	
3	Thread Holder, Upper	CL0206000000	
4	Thread Holding Spacer	CL0207000000	
5	Thread Holder Bracket	CL0205000000	
6	Looper	CL0231010000	
7	Looper Sleeve	CL0209000000	
8	Gear Stopper Base	CL0203S00000	
9	Looper Thread Course	CL0204000000	
10	Spring Presser Plate	CL0232000000	
11	Looper Case	CL0202010000	
12	Looper Case Positioning Plate	CL0241010000	
13	Looper Case Slide Unit	CL0233010000	
14	Thread Breakage Detecting Switch Lever	CL0243000000	
15	Case Fixing Lever	CL0238S00000	
16	Lever Base Lid	CL0237010000	
17	Fixing Lever Base	CL0236010000	
18	Proximity Switch Base	CL0242000000	
19	Thread Breakage Detecting Switch	CL0244000000	
20	Looper Base	CL0201000000	
21	Pulse (Stepping) Motor	CL0835010000	
22	ATH Motor Base	CL0215000000	
23	Movable Knife Guide Plate	CL0220000000	
24	Knife Drive Rack	CL0217S20000	
25	ATH Sensor Plate	CL0222000000	
26	Plate Presser Spring	CL0221000000	
27	ATH Drive Knife	CL0226010000	
28	ATH Knife Guide	CL0219000000	
29	Looper Motor Base	CL0211000000	
30	Pulse (Stepping) Motor	CL0838020000	With Encoder
31	Movable Knife Guide Holding Block	CL0234000000	
32	ATH Base	CL0223010000	
33	Movable Knife Holding Block	CL0225000000	
34	Thread Presser Spring	CL0208000000	
35	Looper Spring	CL0210000000	
36	Ball Bearing	BPLF1260ZZ00	
37	Stopper Ring	BPWR60000000	
38	Looper Base Stud	CL0265000000	
39	ATH Drive Gear	CL0216000000	
40	Proximity Switch	EG6601000000	
41	Lever Pin	CL0240000000	
42	Thread Guide	FX0626110000	
43	Looper Drive Gear	TT2010000000	
44	26P Split Collar	CL0262000000	
45	Looper Drive Gear Bushing	TT2009000000	
46	ATH Fixed Knife	CL0224020000	
47	Fixed Knife Guide	CL0235010000	
48	Round Countersunk Head Screw	EG0228000000	

Note: As for parts with marks # or \*, please follow our instructions on Table of Contents in your parts order.

(BH07)



**TAJIMA**

(BH07)

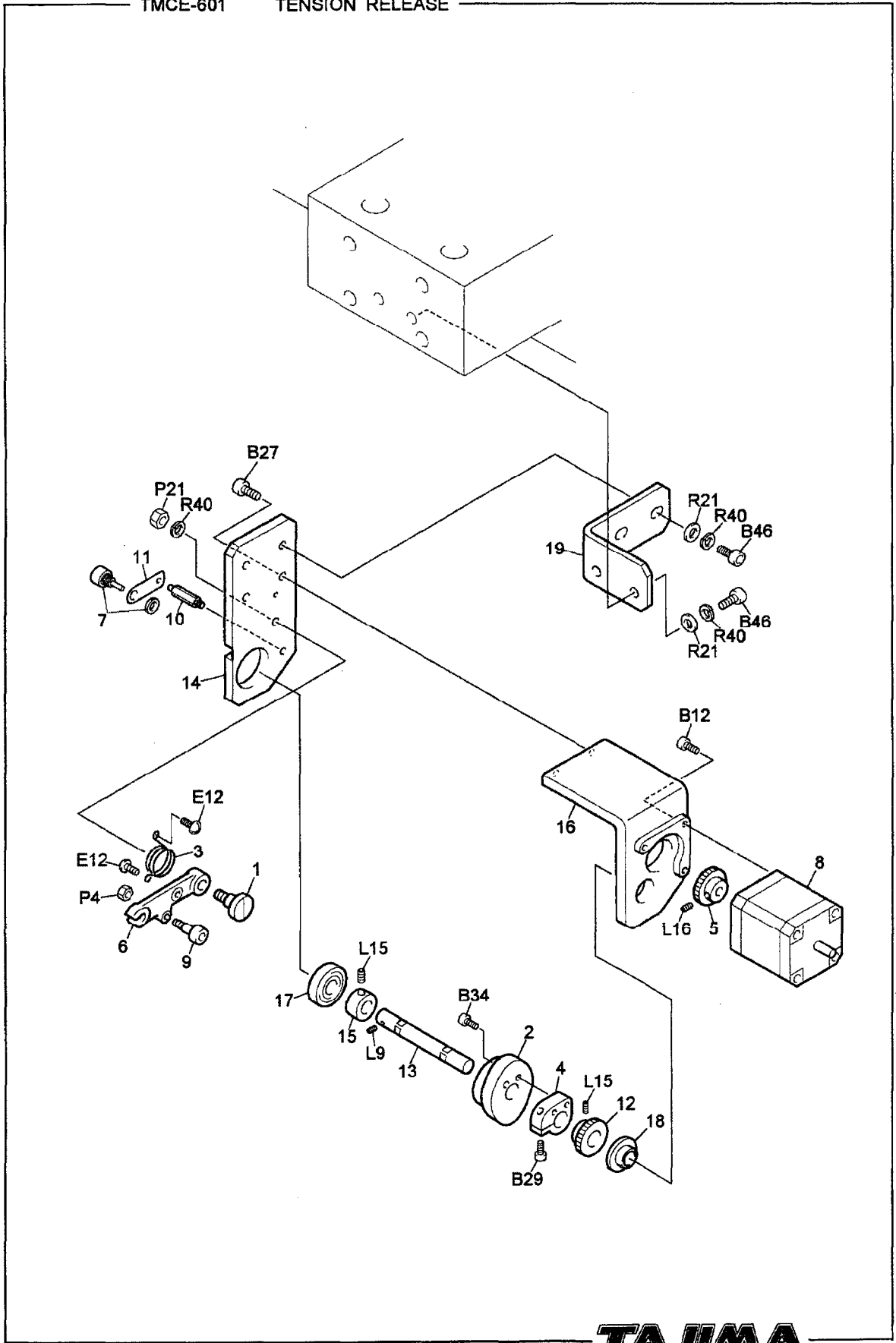
# TMCE-601 TENSION BASE

GP-9

Ref.No.	Description	Part No.	Remark
1	Tension Release Plate Assembly	CL0408000000	
2	Tension Release Side Plate	CL0407000000	
3	Tension Release Slide Base	CL0455000000	
4	Thread Tension Fixing Block	CL0447000000	
5	Tension Base Thread Guide	CL0401000000	
6	Color Change Bracket	CL0404000000	
7	Looper Case Slide Unit	CL0233000000	
8	Tension Base	CL0446000000	
9	Tension Collar	CL0435000000	
10	Looper Lower Lever	CL0414010000	
11	Looper Lower Lever Pin	CL0415000000	
12	Tension Release Pin	LE0912000000	
13	Adjusting Screw	EF09090A0000	
14	Spring Hook	EF0910000000	
15	Tension Spring	EF0908000000	
16	Tension Collar	LG0959000000	
17	Felt Packing	EF0904000000	
18	Thread Course Tension Disk	EF0913000000	
19	Insulation Plate	EF0903000000	
20	Thread Take-up Spring	CL0434000000	
21	Tension Stud	CL0436000000	
22	Thread Course Thread Guide	EF0912000000	
23	Thread Course Tension Stud	EF0914000000	
24			
25			
26			
27			
28			
29			
30			
31			
32			
33			
34			
35			
36			
37			
38			
39			
40			
41			
42			
43			
44			
45			
46			
47			
48			
49			
50			

Note: As for parts with marks # or \*, please follow our instructions on Table of Contents in your parts order.

(BH07)

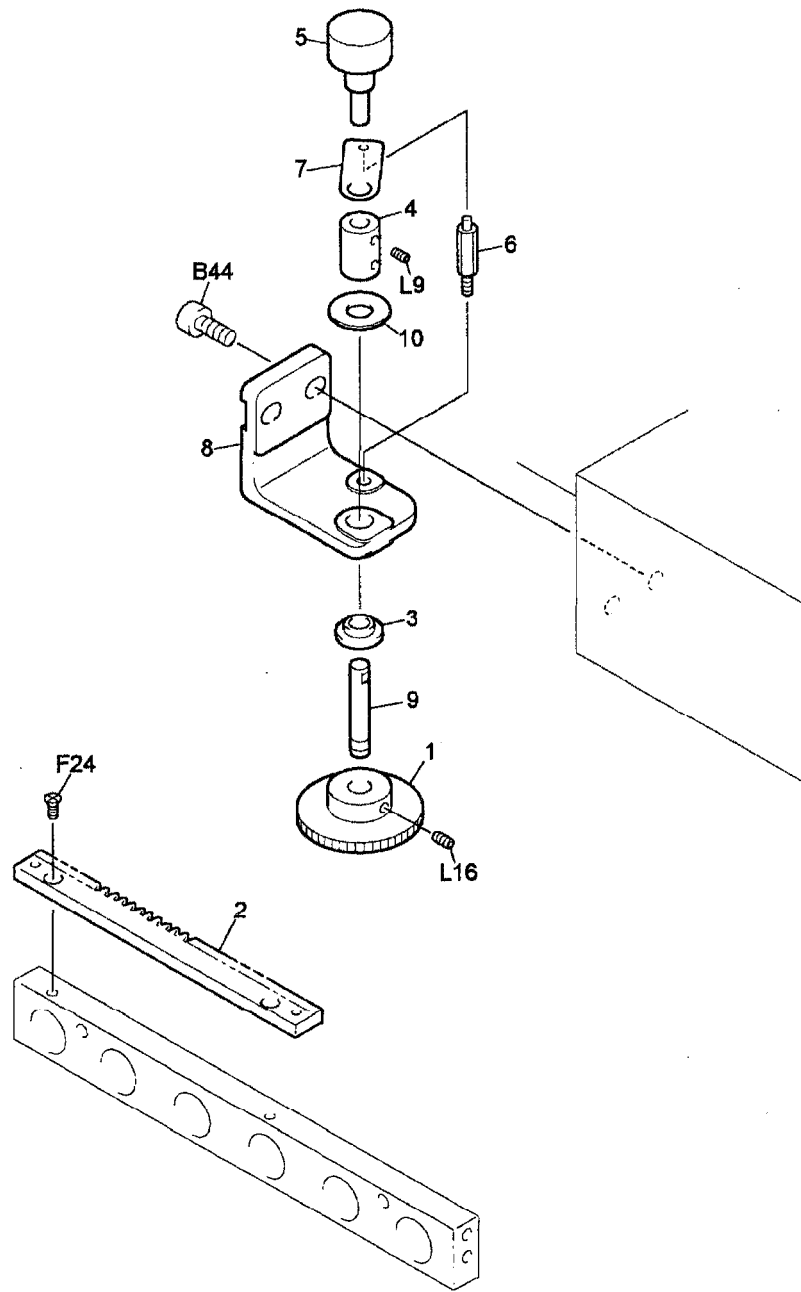


# TMCE-601 TENSION RELEASE

CP-10

Ref.No.	Description	Part No.	Remark
1	Tension Release Lever Pin	CL0411000000	
2	Tension Release Cam	CL0421000000	
3	Tension Release Return Spring	CL0416000000	
4	Tension Release Cam Tightening Collar	CL0417000000	
5	Z-axis Drive Gear	CL0543000000	
6	Tension Release Lever	CL0412000000	
7	Potentiometer	CL0842000000	
8	Pulse (Stepping) Motor	CL0835010000	
9	Roller Pin B	CE0117100000	
10	Potentiometer Stud B	CL0423000000	
11	Potentiometer Attaching Plate B	CL0422000000	
12	Tension Release Gear	CL0451000000	
13	Tension Release Drive Shaft	CL0453000000	
14	Thread Release Base B	CL0457B00000	
15	Tension Release 12P Collar	CL0452000000	
16	Thread Release Base A	CL0457A00000	
17	Ball Bearing	BP6901ZZ0000	
18	Flanged DU Bushing	BPMB120620FD	
19	Tension Release Bracket	CL0458000000	
20			
21			
22			
23			
24			
25			
26			
27			
28			
29			
30			
31			
32			
33			
34			
35			
36			
37			
38			
39			
40			
41			
42			
43			
44			
45			
46			
47			
48			
49			
50			

Note: As for parts with marks # or \*, please follow our instructions on Table of Contents in your parts order. (BH07)



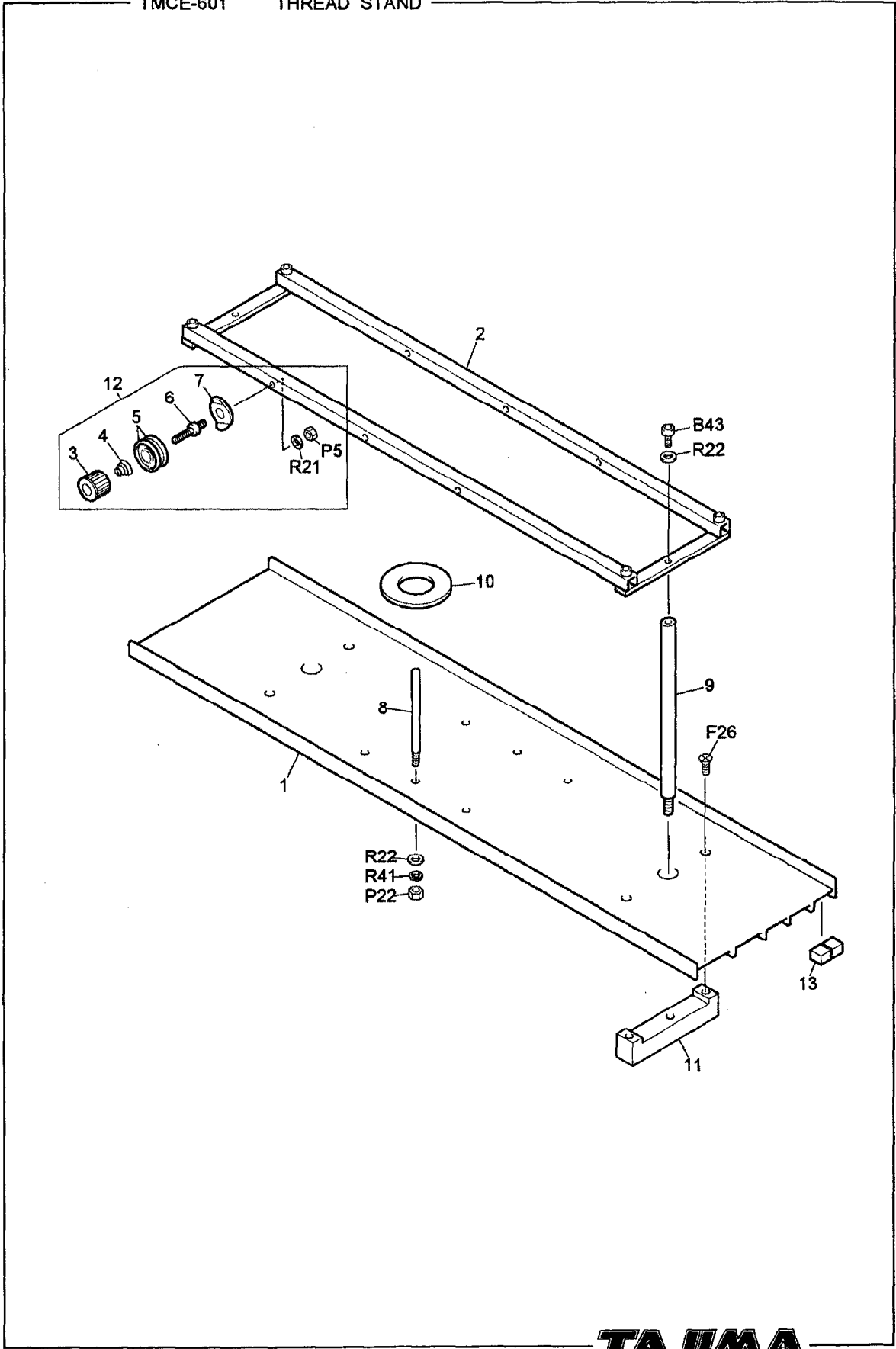


# TMCE-601 COLOR CHANGE SENSOR

CP-11

Ref.No.	Description	Part No.	Remark
1	Color Change Sensor Gear	CL0431000000	
2	Color Change Sensor Rack	CL0450000000	
3	Flanged DU Bushing	BPMB060612FD	
4	Color Change Sensor Collar	CL0430000000	
5	Color Change Potentiometer	CL0836000000	
6	Potentiometer Stud	CL0428000000	
7	Potentiometer Attaching Plate	CL0427000000	
8	Color Change Sensor Base	CL0449020000	
9	Pin No.101	CT0406000000	
10	Thrust Washer	BPRTW0613000	
11			
12			
13			
14			
15			
16			
17			
18			
19			
20			
21			
22			
23			
24			
25			
26			
27			
28			
29			
30			
31			
32			
33			
34			
35			
36			
37			
38			
39			
40			
41			
42			
43			
44			
45			
46			
47			
48			
49			
50			

Note: As for parts with marks # or \*, please follow our instructions on Table of Contents in your parts order. (BH07)

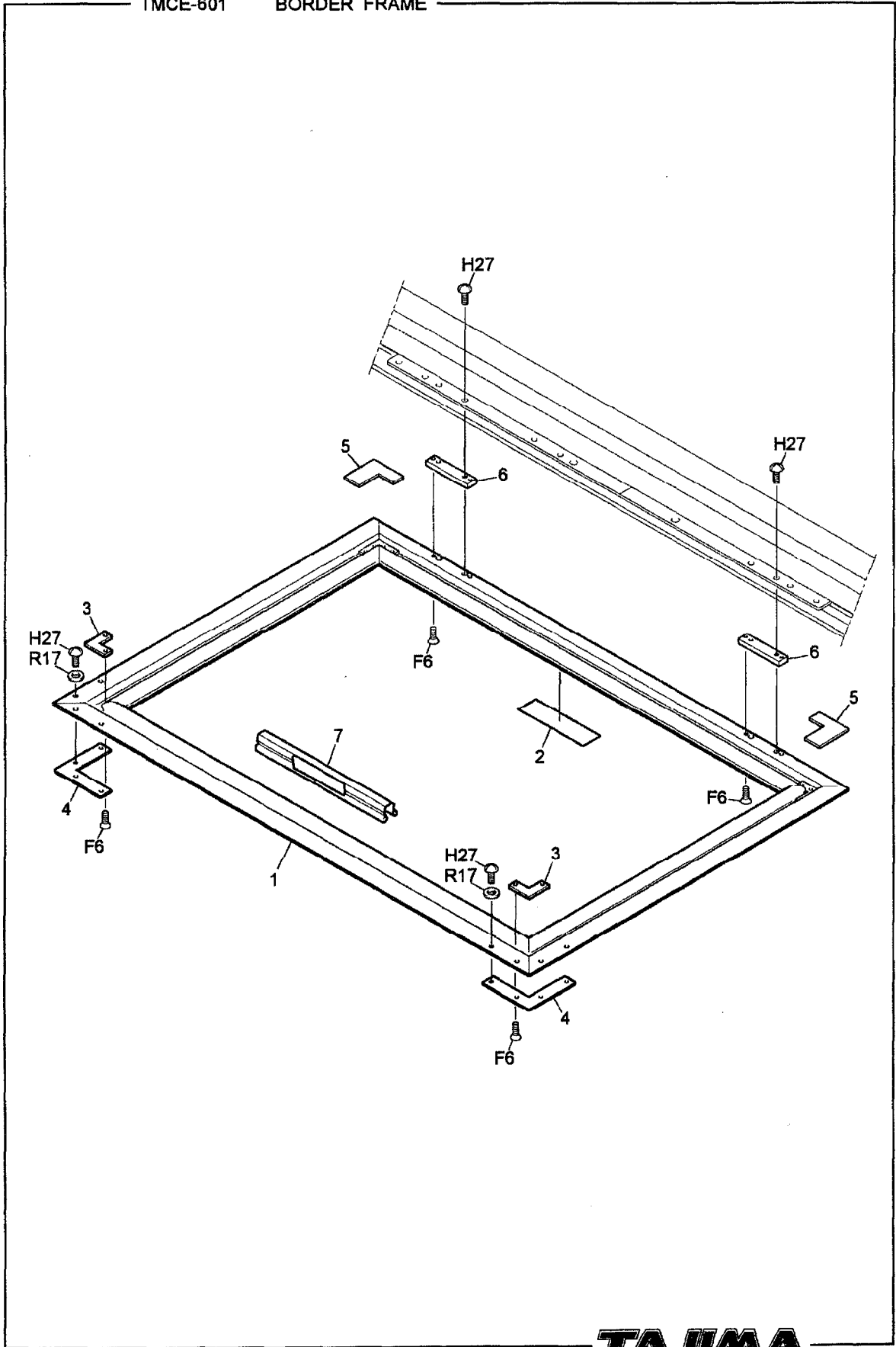


# TMCE-601 THREAD STAND

CP-12

Ref.No.	Description	Part No.	Remark
1	Thread Stand Plate	CL0616010000	
2	Thread Course	CL0617010000	
3	Adjusting Screw	EF09090A0000	
4	Tension Spring	EF0908000000	
5	Thread Course Tension Disk	EF0913000000	
6	Thread Course Tension Stud	EF0914000000	
7	Thread Course Thread Guide	EF0912000000	
8	Thread Stand Stud	EF0939010000	
9	Thread Stand Shaft	CT0603010000	
10	Thread Stand Felt	EF0940000000	
11	Thread Stand Plate Attaching Bracket	CT0604000000	
12	No.1 Tension Set	UN150500B001	
13	Cushion Rubber	EC0829010000	
14			
15			
16			
17			
18			
19			
20			
21			
22			
23			
24			
25			
26			
27			
28			
29			
30			
31			
32			
33			
34			
35			
36			
37			
38			
39			
40			
41			
42			
43			
44			
45			
46			
47			
48			
49			
50			

Note: As for parts with marks # or \*, please follow our instructions on Table of Contents in your parts order. (BH07)



**TAJIMA**

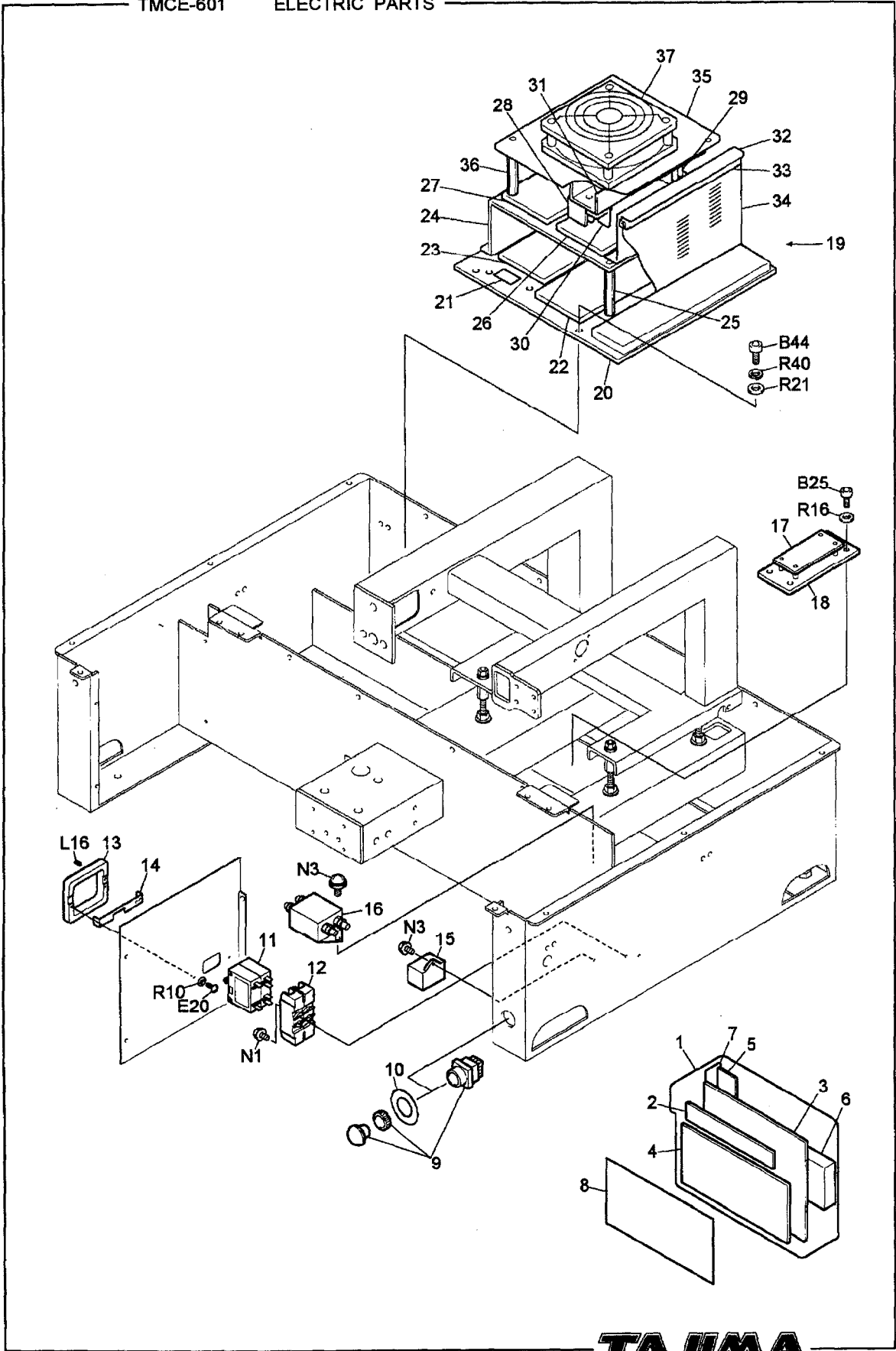
(BH07)

# TMCE-601 BORDER FRAME

CP-13

Ref.No.	Description	Part No.	Remark
1	Border Frame	CL0305000000	
2	Border Felt	CX0386000000	
3	Border Frame L-plate	CX0302010000	
4	Frame Corner	CX03C3000000	
5	Glued Corner Spacer	EC0201000000	
6	Border Frame Spacer	EC0202000000	
7	Border Frame Clip	MX0320A0****	For Y-axis
7	Border Frame Clip	EF030700****	For X-axis
8			
9			
10			
11			
12			
13			
14			
15			
16			
17			
18			
19			
20			
21			
22			
23			
24			
25			
26			
27			
28			
29			
30			
31			
32			
33			
34			
35			
36			
37			
38			
39			
40			
41			
42			
43			
44			
45			
46			
47			
48			
49			

Note: As for parts with marks # or \*, please follow our instructions on Table of Contents in your parts order. (BH07)



**TAJIMA**

(BH07)

# TMCE-601 ELECTRIC PARTS

CP-14

Ref.No.	Description	Part No.	Remark
1	Controller	EC5102A10000	
2	FIP (Indicator Assembly)	PB000400LP00	
3	CPU Card	MX5101A40000	
4	Switch Card	MX5102000000	
5	Extension Card	CL5101060000	
6	Floppy Disk Drive	PB000800RE00	
7	FDD Connector Conversion Set	MX5104000000	
8	Operation Panel Switch Sheet	EC5101000000	
9	Push-button Switch	PB001900SP00	
10	Push-button Switch Emergency Stop Plate	PB0019C0SP00	
11	Circuit Protector	PB002500KA00	
12	Terminal Base	PB002600KA00	
13	Switch Guard	CX08J1510000	
14	Breaker Lock	CX08J1800000	
15	Surge Protector	PB001500RS00	
16	Noise Filter	PB000800FM00	
17	Joint Card (PC Board)	MX6101000000	
18	Joint Card Base	EC0F18000000	
19	Power Supply Driver Unit	CL5605000000	
20	Electrical Component Parts Base	EC0F06000000	
21	DC Power Supply	EC5603000000	
22	DC Power Supply	PB0025A1PW00	
23	DC Power Supply	PB002600PW00	
24	Card Bracket	EC0F07000000	
25	Stud Bolt	EC0F16000000	
26	X/Y-Axis Driver	EC6102010000	
27	Head Card	CL6102000000	
28	Fin A	EC0F19000000	
29	Fin B	EC0F20000000	
30	Fin C	EC0F21000000	
31	Fin D	EC0F22000000	
32	Card Support	EC0F08000000	
33	Guide Rail	PB004100EB00	
34	Main Shaft Driver	CX5602070000	
35	Fan Attaching Base	EC0F23000000	
36	Stud Bolt	EC0F11000000	
37	Fan	PB000900BF00	
38			
39			
40			
41			
42			
43			
44			
45			
46			
47			
48			
49			
50			

Note: As for parts with marks # or \*, please follow our instructions on Table of Contents in your parts order.

(BH07)

No.	Part No.	Remark	No.	Part No.	Remark
<b>A</b>	<b>Flat Fillister Head Screw</b>		<b>B19</b>	<b>SS6203200TNO</b>	<b>M3 × 2 0</b>
A1	SM15015450CN	1 / 8 × 4 4 × 5	B20	SS6203250TNO	M3 × 2 5
A2	SM15015455CN	1 / 8 × 4 4 × 5 . 5	B21	SS6204050TDO	M4 × 5
A3	SM15015460CN	1 / 8 × 4 4 × 6	B22	SS6204050TNO	M4 × 5
A4	SM16515530CN	9 / 6 4 × 4 0 × 3	B23	SS6204060TNO	M4 × 6
A5	SM14020540CN	9 / 6 4 × 4 0 × 4	B24	SS6204080TDO	M4 × 8
A6	SM16516540SA	9 / 6 4 × 4 0 × 4	B25	SS6204080TNO	M4 × 8
A7	SM17010540CN	9 / 6 4 × 4 0 × 4	B26	SS6204100TDO	M4 × 1 0
A8	SM1E515550CN	9 / 6 4 × 4 0 × 5	B27	SS6204100TNO	M4 × 1 0
A9	SM14020560CN	9 / 6 4 × 4 0 × 6	B28	SS6204120TDO	M4 × 1 2
A10	SM15525560CN	9 / 6 4 × 4 0 × 6	B29	SS6204120TNO	M4 × 1 2
A11	SM15526570CN	9 / 6 4 × 4 0 × 7	B30	SS6204150TNO	M4 × 1 5
A12	SM15020580CN	9 / 6 4 × 4 0 × 8	B31	SS6204180TNO	M4 × 1 8
A13	SM15530580CN	9 / 6 4 × 4 0 × 8	B32	SS6204200TDO	M4 × 2 0
A14	SM16025580CN	9 / 6 4 × 4 0 × 8	B33	SS6204200TNO	M4 × 2 0
A15	SM150205A0CN	9 / 6 4 × 4 0 × 1 0	B34	SS6204250TNO	M4 × 2 5
A16	SM150205C0CN	9 / 6 4 × 4 0 × 1 2	B35	SS6204250TN1	M4 × 2 5
A17	SM150205F0CN	9 / 6 4 × 4 0 × 1 5	B36	SS6204300TNO	M4 × 3 0
A18	SM15422643TN	1 1 / 6 4 × 4 0 × 4 . 3	B37	SS6204350TNO	M4 × 3 5
A19	SM17017670CN	1 1 / 6 4 × 4 0 × 7	B38	SS6204400TNO	M4 × 4 0
A20	SM1C035675CN	1 1 / 6 4 × 4 0 × 7 . 5	B39	SS6204450TNO	M4 × 4 5
A21	SM10825690SH	1 1 / 6 4 × 4 0 × 9	B40	SS6205060TNO	M5 × 6
A22	SM146266B5CN	1 1 / 6 4 × 4 0 × 1 1 . 5	B41	SS6205080TDO	M5 × 8
A23	SM172316C0CN	1 1 / 6 4 × 4 0 × 1 2	B42	SS6205080TNO	M5 × 8
A24	SS6003080SCO	M3 × 8	B43	SS6205100TDO	M5 × 1 0
A25	SS6003080SDO	M3 × 8	B44	SS6205100TNO	M5 × 1 0
A26	SS6003100CCO	M3 × 1 0	B45	SS6205100TPO	M5 × 1 0
A27	SS6004100SCO	M4 × 1 0	B46	SS6205120TNO	M5 × 1 2
			B47	SS6205140TNO	M5 × 1 4
			B48	SS6205150TDO	M5 × 1 5
			B49	SS6205150TNO	M5 × 1 5
<b>B</b>	<b>Hexagon Socket Head Cap Screw</b>		<b>B50</b>	<b>SS6205160TNO</b>	<b>M5 × 1 6</b>
B1	SS6202080TDO	M2 × 8	B51	SS6205180TNO	M5 × 1 8
B2	SS6202100TDO	M2 × 1 0	B52	SS6205200TDO	M5 × 2 0
B3	SS6276050TNO	M2 . 6 × 5	B53	SS6205200TNO	M5 × 2 0
B4	SS6203030TNO	M3 × 3	B54	SS6205220TNO	M5 × 2 2
B5	SS6203040TNO	M3 × 4	B55	SS6205230TNO	M5 × 2 3
B6	SS6203050TNO	M3 × 5	B56	SS6205250TNO	M5 × 2 5
B7	SS6203060TDO	M3 × 6	B57	SS6205300TNO	M5 × 3 0
B8	SS6203060TNO	M3 × 6	B58	SS6205350TNO	M5 × 3 5
B9	SS6203080TDO	M3 × 8	B59	SS6205350TN1	M5 × 3 5
B10	SS6203080TNO	M3 × 8	B60	SS6205500TNO	M5 × 5 0
B11	SS6203100TDO	M3 × 1 0	B61	SS6205500TN1	M5 × 5 0
B12	SS6203100TNO	M3 × 1 0	B62	SS6205550TNO	M5 × 5 5
B13	SS6203120TNO	M3 × 1 2	B63	SS6205600TNO	M5 × 6 0
B14	SS6203150TDO	M3 × 1 5	B64	SS6205600TN1	M5 × 6 0
B15	SS6203150TNO	M3 × 1 5	D65	SS6206080TNO	M6 × 8
B16	SS6203160TNO	M3 × 1 6	B66	SS6206090TNO	M6 × 9
B17	SS6203180TNO	M3 × 1 8	B67	SS6206100TNO	M6 × 1 0
B18	SS6203200TDO	M3 × 2 0	B68	SS6206120TNO	M6 × 1 2



# B·C·D·E

No.	Part No.	Remark	No.	Part No.	Remark
<b>B</b>	<b>Hexagon Socket Head Cap Screw</b>		<b>C13</b>	SS9306750SCO	M6 × 7.5
B69	SS6206150TNO	M6 × 1.5	C14	SS9308150TNO	M8 × 1.5
B70	SS6206180TNO	M6 × 1.8	C15	SS9308180TNO	M8 × 1.8
B71	SS6206200TNO	M6 × 2.0	C16	SS9310300TNO	M10 × 3.0
B72	SS6206250TNO	M6 × 2.5	C17	SS9310350SCO	M10 × 3.5
B73	SS6206300TNO	M6 × 3.0	C18	SS9310350TNO	M10 × 3.5
B74	SS6206350TNO	M6 × 3.5	C19	SS9310400SC1	M10 × 4.0
B75	SS6206400TNO	M6 × 4.0	C20	SS9312500TNO	M12 × 5.0
B76	SS6206450TNO	M6 × 4.5			
B77	SS6206450TN1	M6 × 4.5			
B78	SS6206500TN1	M6 × 5.0			
B79	SS6206650TNO	M6 × 6.5			
B80	SS6506750TN1	M6 × 7.5	<b>D</b>	<b>Round Fillister Head Screw</b>	
B81	SS6206800TN1	M6 × 8.0	D1	SM66514540CL	9/64 × 4.0 × 4
B82	SS6206A00TNO	M6 × 10.0	D2	SM66015550CL	9/64 × 4.0 × 5
B83	SS6208120TNO	M8 × 1.2	D3	SM66015550CN	9/64 × 4.0 × 5
B84	SS6208150TNO	M8 × 1.5	D4	SM67018550CN	9/64 × 4.0 × 5
B85	SS6208150TPO	M8 × 1.5	D5	SM67020550CN	9/64 × 4.0 × 5
B86	SS6208200TNO	M8 × 2.0	D6	SM66015560CL	9/64 × 4.0 × 6
B87	SS6208250TNO	M8 × 2.5	D7	SM66015560CN	9/64 × 4.0 × 6
B88	SS6208300TNO	M8 × 3.0	D8	SM67020560CL	9/64 × 4.0 × 6
B89	SS6208350TNO	M8 × 3.5	D9	SM67020560CN	9/64 × 4.0 × 6
B90	SS6208400TNO	M8 × 4.0	D10	SM65817568CN	9/64 × 4.0 × 6.8
B91	SS6208400TN1	M8 × 4.0	D11	SM67020580CN	9/64 × 4.0 × 8
B92	SS6208450TNO	M8 × 4.5	D12	SM660255A0CN	9/64 × 4.0 × 10
B93	SS6208450TN1	M8 × 4.5	D13	SM670205C0CN	9/64 × 4.0 × 12
B94	SS6208500TNO	M8 × 5.0	D14	SM67015660CL	11/64 × 4.0 × 6
B95	SS6208600TNO	M8 × 6.0	D15	SM67010665CL	11/64 × 4.0 × 6.5
B96	SS6208700TNO	M8 × 7.0	D16	SM675306C0CN	11/64 × 4.0 × 12
B97	SS6210250TNO	M10 × 2.5	D17	SM675256F0CN	11/64 × 4.0 × 15
B98	SS6210300TNO	M10 × 3.0	D18	SM69065CQ5CN	9/32 × 2.8 × 2.4.5
B99	SS6210400TNO	M10 × 4.0	D19	SS7003050SD0	M3 × 5
B100	SS6212300TNO	M12 × 3.0			
<b>C</b>	<b>Hexagon Bolt</b>		<b>E</b>	<b>Pan Head Screw</b>	
C1	SS9303060SD0	M3 × 6	E1	SS4164014MZO	M1.4 × 1.4
C2	SS9304080SD0	M4 × 8	E2	SS4102030MZO	M2 × 3
C3	SS9305100SD0	M5 × 1.0	E3	SS4102040MZO	M2 × 4
C4	SS9305150SCO	M5 × 1.5	E4	SS4102080MZO	M2 × 8
C5	SS9305150SD0	M5 × 1.5	E5	SS4175030MZO	M2.5 × 3
C6	SS9305200SD0	M5 × 2.0	E6	SS4175040MZO	M2.5 × 4
C7	SS9306150SCO	M6 × 1.5	E7	SS4175050MZO	M2.5 × 5
C8	SS9306450SD0	M6 × 4.5	E8	SS4175080MZO	M2.5 × 8
C9	SS9306500SCO	M6 × 5.0	E9	SS4175130MZO	M2.5 × 13
C10	SS9306500SD0	M6 × 5.0	E10	SS4175130SD0	M2.5 × 13
C11	SS9306550SD0	M6 × 5.5	E11	SS4103030MZO	M3 × 3
C12	SS9306650SD0	M6 × 6.5	E12	SS4103030SD0	M3 × 3

(BH107)

No.	Part No.	Remark	No.	Part No.	Remark
E	Pan Head Screw		F4	SS1103040MZO	M3 × 4
E13	SS4103040GD0	M3 × 4	F5	SS1103040SD0	M3 × 4
E14	SS4103040MZO	M3 × 4	F6	SS1103050SD0	M3 × 5
E15	SS4103040SD0	M3 × 4	F7	SS1003060SD0	M3 × 6
E16	SS4103050MZO	M3 × 5	F8	SS1103060MZO	M3 × 6
E17	SS4103050SD0	M3 × 5	F9	SS1103060SD0	M3 × 6
E18	SS4103060MZO	M3 × 6	F10	SS1103070SD0	M3 × 7
E19	SS4103060SA0	M3 × 6	F11	SS1003080SD0	M3 × 8
E20	SS4103060SD0	M3 × 6	F12	SS1103080MZO	M3 × 8
E21	SS4103080MZO	M3 × 8	F13	SS1103080SC0	M3 × 8
E22	SS4103080SA0	M3 × 8	F14	SS1103080SD0	M3 × 8
E23	SS4103080SD0	M3 × 8	F15	SS1103080SN0	M3 × 8
E24	SS4103100SC1	M3 × 10	F16	SS1103100SD0	M3 × 10
E25	SS4103100SD0	M3 × 10	F17	SS1103120MZO	M3 × 12
E26	SS4103120MZO	M3 × 12	F18	SS1103120SD0	M3 × 12
E27	SS4103120SD0	M3 × 12	F19	SS1103150MZO	M3 × 15
E28	SS4103140SA0	M3 × 14	F20	SS1103160SD0	M3 × 16
E29	SS4103140SD0	M3 × 14	F21	SS1104050SD0	M4 × 5
E30	SS4103150SD0	M3 × 15	F22	SS1104060SD0	M4 × 6
E31	SS4103400SD1	M3 × 40	F23	SS1104080MZO	M4 × 8
E32	SS4103500SD1	M3 × 50	F24	SS1104080SD0	M4 × 8
E33	SS4104040SD0	M4 × 4	F25	SS1104100MZO	M4 × 10
E34	SS4104050SD0	M4 × 5	F26	SS1104100SD0	M4 × 10
E35	SS4104060MZO	M4 × 6	F27	SS1104120SD0	M4 × 12
E36	SS4104060SD0	M4 × 6	F28	SS1104140SD0	M4 × 14
E37	SS4104080SD0	M4 × 8	F29	SS1104150SD0	M4 × 15
E38	SS4104100SD0	M4 × 10	F30	SS1104200SD0	M4 × 20
E39	SS4104120SD0	M4 × 12	F31	SS1104220SD0	M4 × 22
E40	SS4104150SD0	M4 × 15	F32	SS1104250SD0	M4 × 25
E41	SS4104180SD0	M4 × 18	F33	SS1105060SD0	M5 × 6
E42	SS4104500SD0	M4 × 50	F34	SS1105080SD0	M5 × 8
E43	SS4104600SD1	M4 × 60	F35	SS1105100SD0	M5 × 10
E44	SS4105060SD0	M5 × 6	F36	SS1105120SD0	M5 × 12
E45	SS4105070SD0	M5 × 7	F37	SS1105150SD0	M5 × 15
E46	SS4105080SD0	M5 × 8	F38	SS1105300SD0	M5 × 30
E47	SS4105100MZO	M5 × 10	F39	SS1105350SD0	M5 × 35
E48	SS4105100SD0	M5 × 10	F40	SS1106150SC0	M6 × 15
E49	SS4105120SD0	M5 × 12	F41	SS1106150SD0	M6 × 15
E50	SS4105300SD1	M5 × 12	F42	SS1106350SD0	M6 × 35
E51	SS4105150SD0	M5 × 15	F43	SS1108120SD0	M8 × 12
E52	SS4105450SD1	M5 × 45	F44	SS1108700TNO	M8 × 70
E53	SS4105500SD1	M5 × 50			
E54	SS4105600SD1	M5 × 60			
F	Countersunk Head Screw		G	Round Countersunk Head Screw	
F1	SMA55005AOCN	9/64 × 40 × 10	G1	SMC5000460CL	1/8 × 44 × 6
F2	SMB7000680CN	11/64 × 40 × 8	G2	SMC5000530CL	9/64 × 40 × 3
F3	SS1102060SD0	M2 × 6	G3	SMC5000535CL	9/64 × 40 × 3.5

# G·H·J·K

No.	Part No.	Remark	No.	Part No.	Remark
<b>G</b>	<b>Round Countersunk Head Screw</b>		H40	SS0105080SDO	M5 × 8
G4	SMC5000540CL	9/64 × 40 × 4	H41	SS0105100CBO	M5 × 10
G5	SMC5000560CL	9/64 × 40 × 6	H42	SS0105100SDO	M5 × 10
G6	SMC5000570CL	9/64 × 40 × 7	H43	SS0105120SDO	M5 × 12
G7	SMC5000595CL	9/64 × 40 × 9.5	H44	SS0105150SDO	M5 × 15
			H45	SS0105200SDO	M5 × 20
			H46	SS0105250SDO	M5 × 25
			H47	SS0106080SDO	M6 × 8
			H48	SS0106100SDO	M6 × 10
			H49	SS0106220SDO	M6 × 22
<b>H</b>	<b>Truss Head Screw</b>		H50	SS0106250SDO	M6 × 25
H1	SMF6016470CL	1/8 × 44 × 7	H51	SS0106350SDO	M6 × 35
H2	SMF8020530CL	9/64 × 40 × 3.5	H52	SS0106400SDO	M6 × 40
H3	SMF8020540CL	9/64 × 40 × 4			
H4	SME9510540CM	9/64 × 40 × 4			
H5	SMF8020560CL	9/64 × 40 × 6			
H6	SMF8020580CL	9/64 × 40 × 8	<b>J</b>	<b>Round Head Screw</b>	
H7	SS0175030MZO	M2.5 × 3	J1	SS3102030MZO	M2 × 3
H8	SS0175030SDO	M2.5 × 3	J2	SS3103080SDO	M3 × 8
H9	SS0175040MZO	M2.5 × 4	J3	SS3103080SE0	M3 × 8
H10	SS0175040SAO	M2.5 × 4	J4	SS3103100MZO	M3 × 10
H11	SS0175040SDO	M2.5 × 4			
H12	SS0103030MZO	M3 × 3			
H13	SS0103030SDO	M3 × 3			
H14	SS0103040SDO	M3 × 4			
H15	SS0103050MZO	M3 × 5			
H16	SS0103050SDO	M3 × 5	<b>K</b>	<b>Slotted Set Screw</b>	
H17	SS0103060MZO	M3 × 6	K1	SMK0000435CN	1/8 × 44 × 3.5
H18	SS0103060SDO	M3 × 6	K2	SMK0000560CN	9/64 × 40 × 6
H19	SS0103060SAO	M3 × 6	K3	SMK0000625CN	11/64 × 40 × 2.5
H20	SS0103080SDO	M3 × 8	K4	SMK0000635CN	11/64 × 40 × 3.5
H21	SS0103080SAO	M3 × 8	K5	SMK0000640CN	11/64 × 40 × 4
H22	SS0103100MZO	M3 × 10	K6	SMK0000650CN	11/64 × 40 × 5
H23	SS0103100SDO	M3 × 10	K7	SMK0000A50CN	15/64 × 28 × 5
H24	SS0103200SDO	M3 × 20	K8	SMK0000AA0CN	15/64 × 28 × 10
H25	SS0104050SDO	M4 × 5	K9	SMK0000AF0CN	15/64 × 28 × 15
H26	SS0104060MZO	M4 × 6	K10	SMK0000AH0CN	15/64 × 28 × 17
H27	SS0104060SDO	M4 × 6	K11	SMK0000B40CN	1/4 × 40 × 4
H28	SS0104080MZO	M4 × 8	K12	SMK0000B45CN	1/4 × 40 × 4.5
H29	SS0104080SDO	M4 × 8	K13	SMK0000B50CN	1/4 × 40 × 5
H30	SS0104080SD2	M4 × 8	K14	SMK0000B60CN	1/4 × 40 × 6
H31	SS0104100MZO	M4 × 10	K15	SMK0000B80CN	1/4 × 40 × 8
H32	SS0104100SDO	M4 × 10	K16	SMK0000CC0CN	9/32 × 28 × 12
H33	SS0104120SDO	M4 × 12	K17	SS8005060TNO	M5 × 6
H34	SS0104150SDO	M4 × 15			
H35	SS0104200SDO	M4 × 20			
H36	SS0105050SDO	M5 × 5			
H37	SS0105060SDO	M5 × 6			
H38	SS0105065SDO	M5 × 6.5			
H39	SS0105070SDO	M5 × 7			

(BH07)

# L·M·N·P

No.	Part No.	Remark	No.	Part No.	Remark
<b>L</b>	<b>Hexagon Socket Head Set Screw</b>		<b>N3</b>	SSA004080000	M4 × 8
L1	SMJ0000425CN	1 / 8 × 4.4 × 2.5	N4	SSA004100000	M4 × 10
L2	SMJ0000690CN	1 1 / 64 × 2.8 × 9	N5	SSA004550000	M4 × 5.5
L3	SMJ0000640CN	1 1 / 64 × 4.0 × 4	N6	SSA005100000	M5 × 10
L4	SMJ0000660CN	1 1 / 64 × 4.0 × 6	N7	SSA005120000	M5 × 12
L5	SMJ0000680CN	1 1 / 64 × 4.0 × 8	N8	SSA005140000	M5 × 14
L6	SMJ0000A40CN	1 5 / 64 × 2.8 × 4	N9	SSA005180000	M5 × 18
L7	SMJ0000A90CN	1 5 / 64 × 2.8 × 9			
L8	SS8203020TNO	M3 × 2			
L9	SS8203030TNO	M3 × 3			
L10	SS8203040TNO	M3 × 4			
L11	SS8203050TNO	M3 × 5			
L12	SS8203060TNO	M3 × 6	<b>P</b>	<b>Nut</b>	
L13	SS8203080TNO	M3 × 8	P1	SMN046030CNO	1 / 8 × 4.4 × 6 × 3
L14	SS8204030TNO	M4 × 3	P2	SMN056030CNO	9 / 64 × 4.0 × 6 × 3
L15	SS8204040TNO	M4 × 4	P3	SMN066020CNO	1 1 / 64 × 4.0 × 6 × 2
L16	SS8204050TNO	M4 × 5	P4	SMN066030CNO	1 1 / 64 × 4.0 × 6 × 3
L17	SS8204060TNO	M4 × 6	P5	SMN067030CNO	1 1 / 64 × 4.0 × 7 × 3
L18	SS8204060TN1	M4 × 6	P6	SMN167030CNO	1 1 / 64 × 4.0 × 7 × 3
L19	SS8204080TNO	M4 × 8	P7	SSN002SD0000	M2 Type 1
L20	SS8204100TNO	M4 × 10	P8	SSN073SD0000	M2.3 Type 1
L21	SS8204120TNO	M4 × 12	P9	SSN075MZ0000	M2.5 Type 1
L22	SS8205040TNO	M5 × 4	P10	SSN003MZ0000	M3 Type 1
L23	SS8205050TNO	M5 × 5	P11	SSN003SC0000	M3 Type 1
L24	SS8205060TNO	M5 × 6	P12	SSN003SD0000	M3 Type 1
L25	SS8205080TNO	M5 × 8	P13	SSN403SD0000	M3 Thumbscrew Type 2
L26	SS8205100TNO	M5 × 10	P14	SSN203SC0000	M3 Type 3
L27	SS8205120TNO	M5 × 12	P15	SSN203SD0000	M3 Type 3
L28	SS8205150TNO	M5 × 15	P16	SSN285SC0000	M3.5 Type 3
L29	SS8206050TNO	M6 × 5	P17	SSN004SC0000	M4 Type 1
L30	SS8206060TNO	M6 × 6	P18	SSN004SD0000	M4 Type 1
L31	SS8206080TNO	M6 × 8	P19	SSN204SC0000	M4 Type 3
L32	SS8206100TNO	M6 × 10	P20	SSN204SD0000	M4 Type 3
L33	SS8206180TNO	M6 × 18	P21	SSN005SC0000	M5 Type 1
L34	SS8208080TNO	M8 × 8	P22	SSN005SD0000	M5 Type 1
L35	SS8208100TNO	M8 × 10	P23	SSN205SC0000	M5 Type 3
L36	SS8208150TNO	M8 × 15	P24	SSN205SD0000	M5 Type 3
			P25	SSN605SD0000	M5 Gap Screw
<b>M</b>	<b>Hexagon Socket Head Button Screw</b>		P26	SSN006SC0000	M6 Type 1
M1	SS3203050SCO	M3 × 5	P27	SSN006SC1000	M6 Type 1 (Left)
M2	SS3204060SCO	M4 × 6	P28	SSN006SD0000	M6 Type 1
M3	SS3205100SCO	M5 × 10	P29	SSN006SD1000	M6 Type 1 (Left)
M4	SS3205100SDO	M5 × 10	P30	SSN206SC0000	M6 Type 3
			P31	SSN008SC0000	M8 Type 1
			P32	SSN008SD0000	M8 Type 1
			P33	SSN208SC0000	M8 Type 3
			P34	SSN208SD0000	M8 Type 3
<b>N</b>	<b>Screw with Washer</b>		P35	SSN010SC0000	M10 Type 1
N1	SSA003080000	M3 × 8	P36	SSN710CD0000	M10 with Flange
N2	SSA003180000	M3 × 18	P37	SSN710SC0000	M10 with Flange

(BH07)

No.	Part No.	Remark	No.	Part No.	Remark
<b>P</b>	<b>Nut</b>		R41	WSS050000KDO	Spring M6
P38	SSN012SC0000	M 1 2 Type 1	R42	WSS060000KCO	Spring M6
P39	SSN212SC0000	M 1 2 Type 3	R43	WSS060000KDO	Spring M6
P40	SSN216SC0000	M 1 6 Type 3	R44	WSS080000KCO	Spring M8
P41	SSN020SC0000	M 2 0 Type 1	R45	WSS080000KDO	Spring M8
			R46	WSS100000KCO	Spring M 1 0
			R47	WSS120000KCO	Spring M 1 2
			R48	WSW06B003TPO	Wave M4
			R49	WSW06A503TNO	Wave M6
<b>R</b>	<b>Washer</b>		R50	WSL048505TPO	With teeth M4
R1	WSP640303MZ0	Plain M 1. 4 × 3 × 0. 3 t	R51	WSL05A006TPO	With teeth M5
R2	WSP023505XZ0	Plain M 2 × 3. 5 × 0. 5 t	R52	WSN080000SCO	Siant M8
R3	WSP767505XB0	Plain M 2. 6 × 7. 5 × 0. 5 t	R53	WSC048005SCO	Disk Spring M4
R4	WSP036003XZ0	Plain M 3 × 6 × 0. 3 t			
R5	WSP036005SCO	Plain M 3 × 6 × 0. 5 t			
R6	WSP037005SD0	Plain M 3 × 7 × 0. 5 t			
R7	WSP038003SD0	Plain M 3 × 8 × 0. 3 t			
R8	WSP038005MZ0	Plain M 3 × 8 × 0. 5 t			
R9	WSP038005SCO	Plain M 3 × 8 × 0. 5 t			
R10	WSP038005SD0	Plain M 3 × 8 × 0. 5 t			
R11	WSP038100SD0	Plain M 3 × 8 × 1 t			
R12	WSP048005SCO	Plain M 4 × 8 × 0. 5 t			
R13	WSP048005SD0	Plain M 4 × 8 × 0. 5 t			
R14	WSP048008SCO	Plain M 4 × 8 × 0. 8 t			
R15	WSP048008SD0	Plain M 4 × 8 × 0. 8 t			
R16	WSP04A008SCO	Plain M 4 × 10 × 0. 8 t			
R17	WSP04A008SD0	Plain M 4 × 10 × 0. 8 t			
R18	WSP04C010SCO	Plain M 4 × 12 × 1 t			
R19	WSP05A008SCO	Plain M 5 × 10 × 0. 8 t			
R20	WSP05A008SD0	Plain M 5 × 10 × 0. 8 t			
R21	WSP05C008SCO	Plain M 5 × 12 × 0. 8 t			
R22	WSP05C008SD0	Plain M 5 × 12 × 0. 8 t			
R23	WSP06D010SCO	Plain M 6 × 13 × 1. 0 t			
R24	WSP06D010SD0	Plain M 6 × 13 × 1. 0 t			
R25	WSP06G010SCO	Plain M 6 × 16 × 1. 0 t			
R26	WSP08G012SD0	Plain M 8 × 16 × 1. 2 t			
R27	WSP08J016SCO	Plain M 8 × 18 × 1. 6 t			
R28	WSP08J016SD0	Plain M 8 × 18 × 1. 6 t			
R29	WSP08J032SCO	Plain M 8 × 18 × 3. 2 t			
R30	WSP08N032SCO	Plain M 8 × 22 × 3. 2 t			
R31	WSP10S032SCO	Plain M 1 0 × 26 × 3. 2 t			
R32	WSP12L520SCO	Plain M 1 2 × 20. 5 × 2 t			
R33	WSS020000KDO	Spring M2			
R34	WSS760000KCO	Spring M 2. 6			
R35	WSS030000KCO	Spring M3			
R36	WSS030000KDO	Spring M3			
R37	WSS850000KCO	Spring M 3. 5			
R38	WSS040000KCO	Spring M4			
R39	WSS040000KDO	Spring M4			
R40	WSS050000KCO	Spring M5			